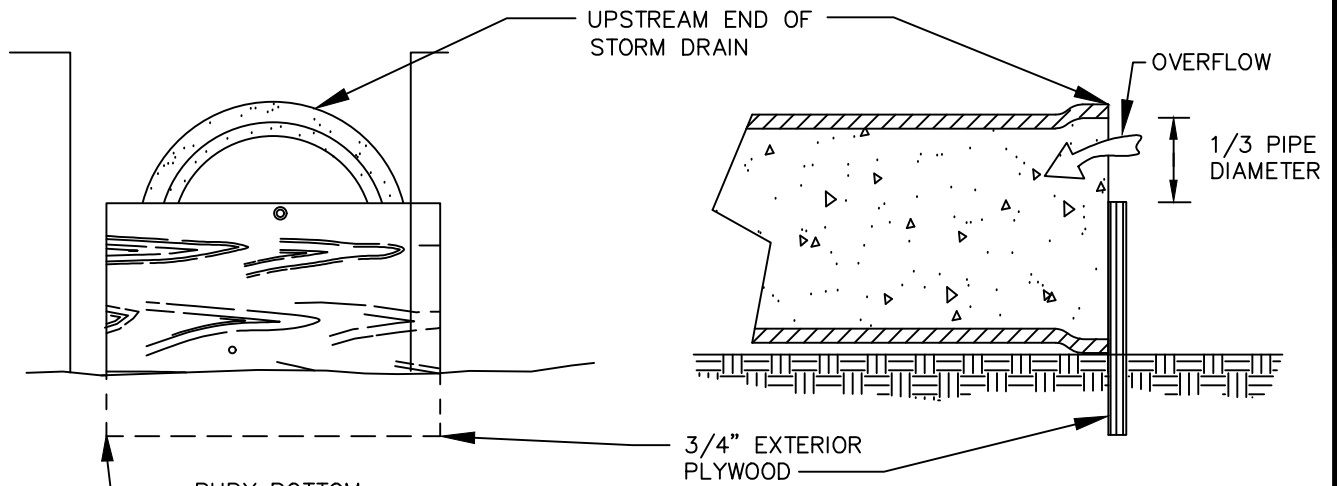
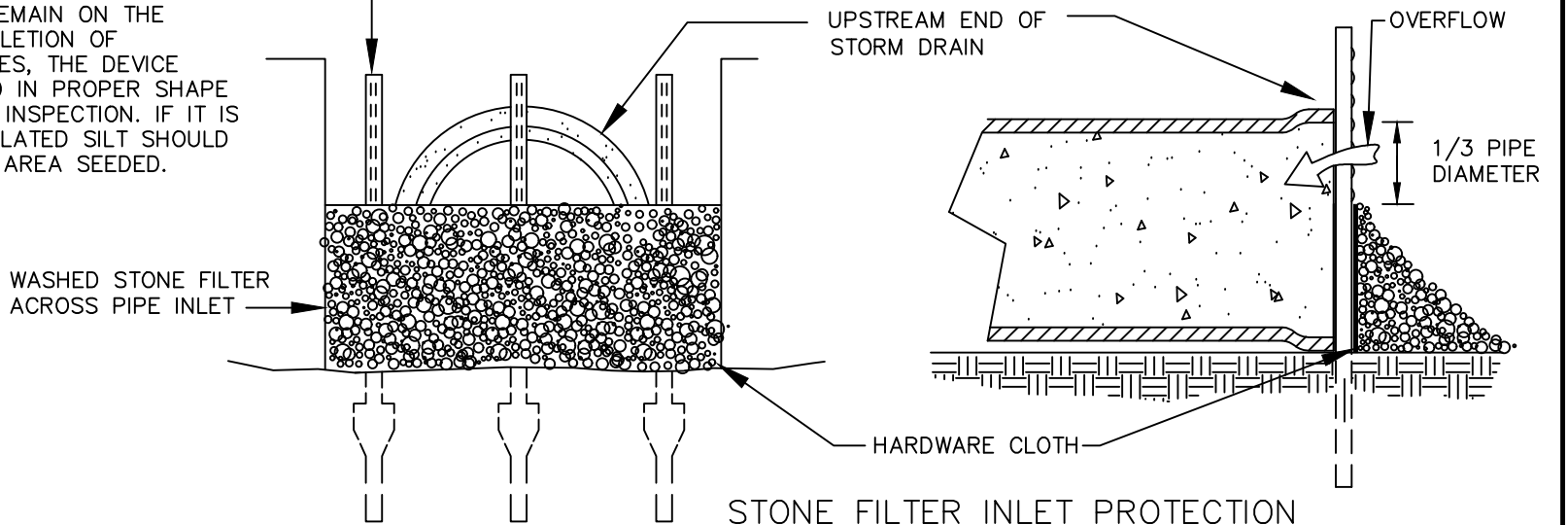


MAINTENANCE NOTES:

1. INSPECT THE DEVICE AFTER 1 INCHES OR GREATER, OVER A 24-HOUR PERIOD FOR DAMAGE, SEDIMENT ACCUMULATION AND PROPER FUNCTION.
2. REMOVE SEDIMENT FROM THE DEVICE WHEN ACCUMULATIONS REACH ONE-HALF THE HEIGHT OF THE BASIN AREA FORMED BY THE DEVICE.
3. REPLACE THE WASHED STONE AS NEEDED TO ALLOW WATER TO DRAIN THROUGH THE DEVICE BETWEEN RAINFALL EVENTS.
4. CLEAN OUT THE DEVICE WHEN IT IS CLOGGED WITH DEBRIS.
5. CHECK PLYWOOD IF DAMAGED. REPLACE IF NEEDED.
6. IF THE DEVICE IS TO REMAIN ON THE PROJECT AT THE COMPLETION OF CONSTRUCTION ACTIVITIES, THE DEVICE SHOULD BE CLEAN AND IN PROPER SHAPE AT THE TIME OF FINAL INSPECTION. IF IT IS REMOVED, ALL ACCUMULATED SILT SHOULD BE REMOVED AND THE AREA SEEDED.



PLYWOOD INLET PROTECTION



STONE FILTER INLET PROTECTION

STANDARD PIPE INLET PROTECTION (PLYWOOD & STONE)



EFFECTIVE: 10/15/2025