



2026 Entry Timeline

- Registration opens..... June 15
- Entry deadlineMonday, July 13, 2 p.m.
- Entry deliveryTuesday, July 14, 7-8:30 a.m.
- Fair datesJuly 17 - Aug. 16 *(closed Mondays and Tuesdays)*
- Final competition pick up.....Aug. 18, 9:30 a.m. - noon
We cannot guarantee items will be available for pick up after this date.
Ribbons will not be mailed.

BY ENTERING YOU ARE AGREEING TO THE TERMS AND RULES PRESENTED IN THIS GUIDEBOOK

Entry fees \$10 adult • Free for youth

Contact.....Garden & Floral Department
gardenfloral@ocfair.com • Office 714-708-1619
OC Fair & Event Center • 88 Fair Drive, Costa Mesa, CA 92626



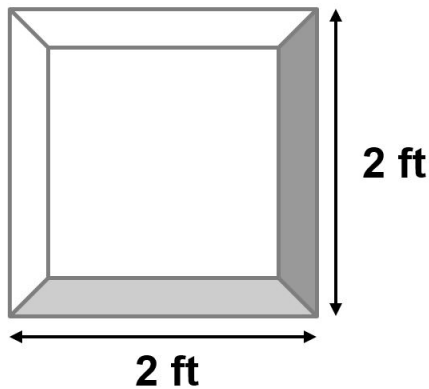
TABLE OF CONTENTS

Rules & Guidelines.....	1
Eligibility / Entry Limit.....	2
How to Enter / Help Entering.....	3
Entry Delivery / Entry Pick Up.....	4
Judging.....	5
Awards.....	6
Adult Divisions.....	7
• Division 101: Specimens	
• Division 111: Collections	
• Division 121: Seed Collages	
Youth Divisions.....	8
• Division 9101: Youth Specimens	
• Division 9111: Youth Collections	
• Division 9121: Seed Collages	



RULES & GUIDELINES

1. [Local](#) and [state rules](#) govern this competition.
2. Exhibitors are responsible for reading and abiding by the competition guidelines and relevant supporting documents. There may be changes from the previous year. Relevant documents include:
 - [Horticulture Judging Criteria](#)
 - [Horticulture Glossary & FAQ](#)
 - [How to Prepare Your Pressed Botanicals](#)
3. This page provides only broad guidelines for this competition. More specific information is spread throughout pertinent sections in this guide.
4. All entries must be well-mounted, hangable and sturdy. Glue and adhesives should not be visible.
5. Entries shall not exceed two feet in length or width as measured from the outside of the frame.



6. Entries that are incorrectly identified or otherwise do not match their labels will be disqualified.
7. OC Fair reserves the right to refuse to accept or disqualify and remove from exhibit any entry considered ineligible for competition (e.g., entries with serious disease, insect problems, under quarantine as specified under the California Department of Food and Agriculture or endanger the staff and/or public).
8. **Hold harmless.** Although reasonable efforts will be undertaken to safeguard exhibitors' property, neither the State of California nor OC Fair & Event Center will be responsible for any loss, damage or theft of exhibitors' property brought on the premises during OC Fair. Every precaution will be taken in the handling and exhibiting of entries.



ELIGIBILITY

Adult divisions:

Open to California residents age 18 and older.

Youth divisions:

Open to California youth ages 6-17 (by July 17).

ENTRY LIMIT

No entry limit.

The same item cannot be re-entered in subsequent competitions, neither under the original nor a different exhibitor's name.

OC FAIR EXHIBITOR TICKET

Exhibitors will receive one (1) OC Fair admission ticket at the time of entry delivery.

- One (1) ticket per exhibitor, not per entry.
- Tickets are good any day during the OC Fair and do not require a reservation.
- Tickets are provided to participants to view the results of their efforts.
- Tickets must not be sold.
- Exhibitor must be present to receive a ticket.



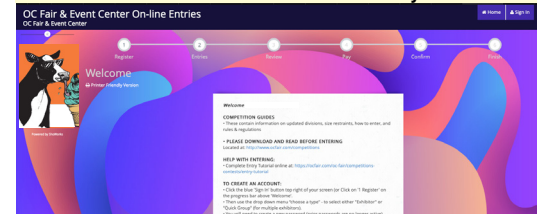
HOW TO ENTER

Click on the link to the entry homepage: ocgard.fairwire.com.

Step 1. Register

- Last year's accounts are no longer valid. All exhibitors must create a new account.
- Entries must be submitted under the name of the individual who prepared it. This also applies to youth entries.
- Do not use business, team or fictitious names.
- Enter the information carefully and proofread the name to ensure accuracy on exhibit display labels. Severe errors may lead to disqualification.
- Email will be used to send important information. Check your spam folders and whitelist emails coming from @ocfair.com.

The numbered steps along the top of page are clickable and show the current section you are on.



fairwire.com welcome page

Step 2. Entries

- Input your entry (or entries) in the proper department, division and class along with other required information.

Step 3. Cart review

- Review your entries. You can add, edit, delete or save your entries.
- When satisfied, click the "CHECK OUT" button.

Step 4. Confirmation

- Sign by typing "YES" in the "Agreement to Terms" box.
- DO NOT click the "SUBMIT" button multiple times as you will be charged.
- On the resulting confirmation page you can print a receipt.

**You can log back into your account to see your entries.
For any changes, contact gardenfloral@ocfair.com.**

HELP ENTERING

For additional help, review this detailed step-by-step guide:

- [Entry tutorial](#)

Phone: 714-708-1619

Email: gardenfloral@ocfair.com

Please contact us as early as possible with any questions or difficulties regarding the entry process. We ask that you review all relevant materials before inquiring, including:

- [Horticulture Judging Criteria](#)
- [How to Prepare Your PRESSED Botanicals](#)
- [Horticulture Glossary & FAQ](#)

Although there will be a help desk available during entry delivery to fix mistakes, this service will only be available to exhibitors who have already registered to enter that competition week. We are unable to accept payment or registration during entry delivery.



ENTRY DELIVERY

Delivery date: Tuesday, July 14, 7-9:30 a.m.

- One (1) participation ribbon will be given to each exhibitor on entry delivery day.
- Late deliveries will not be accepted.
- Exhibitors will not be admitted to the Farm before 7 a.m. and must be checked in and inside the Farm gate by 9:30 a.m. Entries may be delivered by someone other than the exhibitor.
- Check-in tables will be located at the Centennial Farm gate for you to pick up your entry tags, tickets and/or ribbons. All exhibitors must check in and enter through the Farm gate.

Entry delivery

Enter Gate 1 off of Fair Drive and park in Lot B in front of Centennial Farm.



Please bring other individuals or tools, like wagons, if you need assistance transporting your entries, especially if large in size or quantity. Centennial Farm has a few push carts available for exhibitor use on a first-come, first served basis, but we cannot guarantee assistance. If you are unsure what is appropriate to enter or what you are allowed to bring to transport your item(s), please contact us before delivery day to confirm.

ENTRY DISPLAY

After judging, entries will be on display for the entire Fair in the Silo Gallery. Images of ribbons will be printed on the entry tags to identify awards given.

Items will be discarded if they deteriorate. There are no guarantees that an entry will be displayed.

ENTRY PICK UP

Pick up date: Tuesday, Aug. 18, 9:30-noon.

- If you are unable to pick up your ribbon(s), please arrange for someone to pick them up for you. Unclaimed ribbons become the property of OC Fair and will be discarded. We will not provide reminders via phone or email.



JUDGING

Qualified judges will be selected by the program coordinator. The program coordinator may choose new judges each year, or judges may judge different divisions from year to year. The judges are professionals and their decisions are final.

Judging is not open to the public.

Adult divisions

Entries are placed using the American Judging System, where exhibits are ranked one against another.

- First, second, third place and honorable mention(s) may be awarded in each class if judges so determine.
- First place winners will compete for "Division Winner."
- Those chosen for Division Winner will compete for "Best of Show."

Youth divisions

Entries are placed using the Danish Judging System, where each entry is judged on how well it meets a standard rather than how it compares to other entries.

- Entries are judged first, second or third place.
- There may be more than one first, second or third place award per class.
- All first place awards will then compete, using the American Judging System, for "Best of Class."
- Those chosen for Best of Class will compete for "Division Winner" and Division Winners will compete for "Best of Show."

Judging criteria

All criteria for judging the horticulture competitions are listed in a separate document: [Horticulture Judging Criteria](#).

Comment sheets

Comment sheets are notes from the judges regarding the entry's performance. Comments from the current competition week will be made available on the relevant entry pick up date. They are also available for viewing or pick up any day of the competition week when OC Fair is open; ask the staff member at the exhibit's information table.

Disqualified entries

- If an entry is disqualified after judging is complete, the judge will not change the status of awards given for other entries.
- Judges reserve the right to remove or disqualify any entry in violation of the rules, in poor taste or not in accordance with the competition standards.
- No exhibitor shall be entitled to an award that has been disqualified as the result of their own error.

Reassignment of entry division or class

The judges and program coordinator have the option of reassigning an entry to a more appropriate division or class or combining divisions or classes to create an adequate judging pool. Nevertheless, it is the responsibility of exhibitors to enter work in the appropriate class. Failure to enter the appropriate class may result in disqualification.



AWARDS

Best of Show	Ribbon
Division Winner.....	Ribbon
Best of Class.....	Ribbon
First Place.....	Ribbon (5 points each)
Second Place.....	Ribbon (3 points each)
Third Place.....	Ribbon (1 point each)
Honorable Mention	Ribbon

- Ribbons can be picked up along with entries on the entry pick up days listed on the front page of this guide. If you are unable to pick up your item(s) on these dates, please arrange for someone to pick them up for you.
- Note that the final pick up date is Tuesday, Aug. 18, from 9:30 a.m. to noon. Items and ribbons left unclaimed after the final pick up date become the property of OC Fair and may be discarded. Ribbons will not be mailed.

Judging results

- Results will be posted online as soon as possible at ocfair.com/results.
- *Please do not call, email or message OC Fair via social media for competition results. We receive a high volume of inquiries daily.*

Sweepstakes & Premiums

Adult and Youth Sweepstakes are tallied based on the accumulated points (see above for award point values) for all cut flower competitions across all five judging days. Sweepstakes awards are as follows:

Adult Sweepstakes	Ribbon & \$50
Youth Sweepstakes (ages 6-12)	Ribbon Only
Youth Sweepstakes (ages 13-17)	Ribbon Only

Sweepstakes awards and premiums will be made payable to the name of the winning exhibitor as indicated on their online entry account and mailed within 30 business days of the final day of OC Fair. Signed judging sheets will be used as evidence for payment of premiums; ribbons and tags will not be accepted.





Adult Divisions

Eligibility Open to California residents age 18 or older.

Entry limit No limit.

Entry fee \$10.

- Ensure you follow all guidelines regarding the picking of California native plants. For more information visit: wildlife.ca.gov/Conservation/Plants/Laws.
- Entries may not exceed two feet in length or width.
- For more information, read our recommendations for [How to Prepare Your Pressed Botanicals](#).

DIVISION 101

Specimens

- Specimen entries are expected to showcase only one (1) species or variety of plant.

Class 01: Ferns

Class 02: Flowers

Class 03: Foliage

DIVISION 111

Collections

- Collection entries are expected to contain a variety of different plants/cultivars in the same piece.

Class 01: Floral bouquet

Class 02: Rose garden

Class 03: Herb garden

Class 04: California native garden

DIVISION 121

Seed Collages

- Entries in this division are expected to use seeds as a medium to create artistic images.

Class 01: Red, white & blue - celebrating America's 250th birthday

Class 02: Famous art

Class 03: Farm animals

Class 04: 2026 OC Fair theme "Your Adventure Awaits"

Class 05: Exhibitor's choice, specify theme





Youth Divisions

Eligibility Open to California youth ages 6-17 (by July 17).

Entry limit No limit.

Entry fee Free.

- Youth competitions follow the same rules as the adult competitions; read through those sections of the guide for more details.
- Ensure you follow all guidelines regarding the picking of California native plants. For more information visit: wildlife.ca.gov/Conservation/Plants/Laws.
- Entries may not exceed two feet in length or width.
- For more information, read our recommendations for [How to Prepare Your Pressed Botanicals](#).

DIVISION 9101

Specimens

- Specimen entries are expected to showcase only one (1) species or variety of plant.

Class 01: Ferns

Class 02: Flowers

Class 03: Foliage

DIVISION 9111

Collections

- Collection entries are expected to contain a variety of different plants/cultivars in the same piece.

Class 01: Floral bouquet

Class 02: Rose garden

Class 03: Herb garden

Class 04: California native garden

DIVISION 9121

Seed Collages

- Entries in this division are expected to use seeds as a medium to create artistic images.

Class 01: Red, white & blue - celebrating America's 250th birthday



Class 02: Famous art

Class 03: Farm animals

Class 04: 2026 OC Fair theme "Your Adventure Awaits"

Class 05: Exhibitor's choice, specify theme