

IPEVO

Hold up your phone without holding up your phone.



IPEVO Uplift

Multi-angle Arm for Smartphones

IPEVO Uplift is the ultimate tool for those who choose to use their smartphone as a document camera or a webcam. Stay focused on your presentation and enjoy a distraction-free experience.

Find the best angle

The sturdy, multi-jointed arm allows for angle adjustments on the go without image bobbing and wobbling.

Solid stable

The base of IPEVO Uplift is made of solid metal and provides stability while keeping a small footprint.

Go one step further

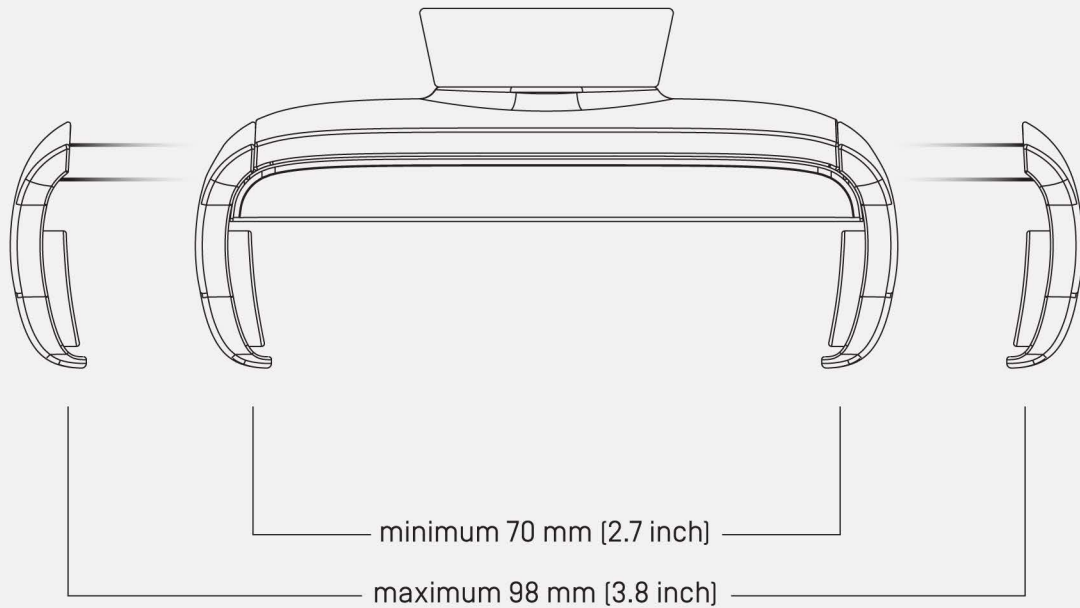
Pair Uplift together with the IPEVO iDocCam app and share your smartphone's video feed onto a big screen, and more.



IPEVO Uplift

Multi-angle Arm for Smartphones

Uplift can accommodate smartphones with a width ranging between 70 - 98mm [2.7 - 3.8 Inch].
Maximum supported smartphone weight: 300g [0.66 lbs].



SPECIFICATIONS

Model Number : 5-901-2-01-00

Size	Uplift: 110x110x226 mm [4.3 x 4.3 x 8.9 Inch] Package size: 132 X 132 X 27 mm [5.2 x 5.2 x 1.1 Inch]
Weight	Uplift: 1164g [2.57 lbs] Uplift with package: 1416g [3.12 lbs]
Material	Arm and base: Aluminium alloy, steel
Color	Black
Package Contents	Uplift

IPEVO tools for the connected world