
De: Sarah Phillips <Sarah.Phillips@WasteConnections.com>
Enviado: Lunes 20 de abril de 2026 10:07 PM
Para: Zmily, Zanalee@DTSC; Clark, Dylan@DTSC
Cc: McGuire, Christopher@DTSC; khabaradas@ph.lacounty.gov; rragland@ph.lacounty.gov; lfrias@ph.lacounty.gov; nquick@ph.lacounty.gov; sota@ph.lacounty.gov; Karen Gork; rjensen@fwhb.com; bmcphillips@counsel.lacounty.gov; ethomp@dpw.lacounty.gov; 'Alex Garcia'; ahuyinh@planning.lacounty.gov; Wes.Mindermann@CalRecycle.ca.gov; Todd.Thalhamer@CalRecycle.ca.gov; jeff.lindberg@arb.ca.gov; jcheng@aqmd.gov; Larry Israel; Casas, Enrique@Waterboards; Thanne.Berg@dtsc.ca.gov; Dylan Smith; Diane.Barclay@dtsc.ca.gov; Christopher.Kane@dtsc.ca.gov; Johnathon.Crook@dtsc.ca.gov; Lisa.Winebarger@dtsc.ca.gov; John Perkey; Megan L. Morgan; Nicole B. Weinstein
Asunto: CCL: Mapas Actualizados de los Parques de Tanques y del Campo de Pozos
Adjuntos: CCL_Quarterly_Submittal_-_Updated_Tank_Farm_and_Wellfield_Maps.zip

Todos,

En nombre de Chiquita Canyon, LLC, adjuntamos los mapas más recientes del parque de tanques y del campo de pozos, que se están presentando conforme a la carta de requerimientos de cumplimiento del DTSC del 20 de junio de 2025, consistente con la respuesta de Chiquita del 25 de julio de 2025. Háganos saber si tiene alguna pregunta.

Atentamente,
Sarah

Sarah Phillips

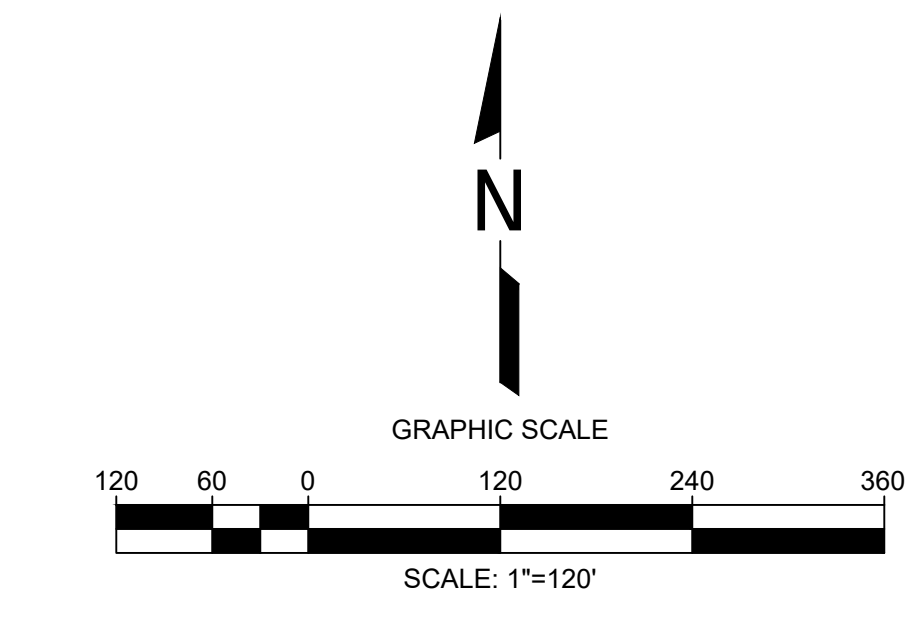
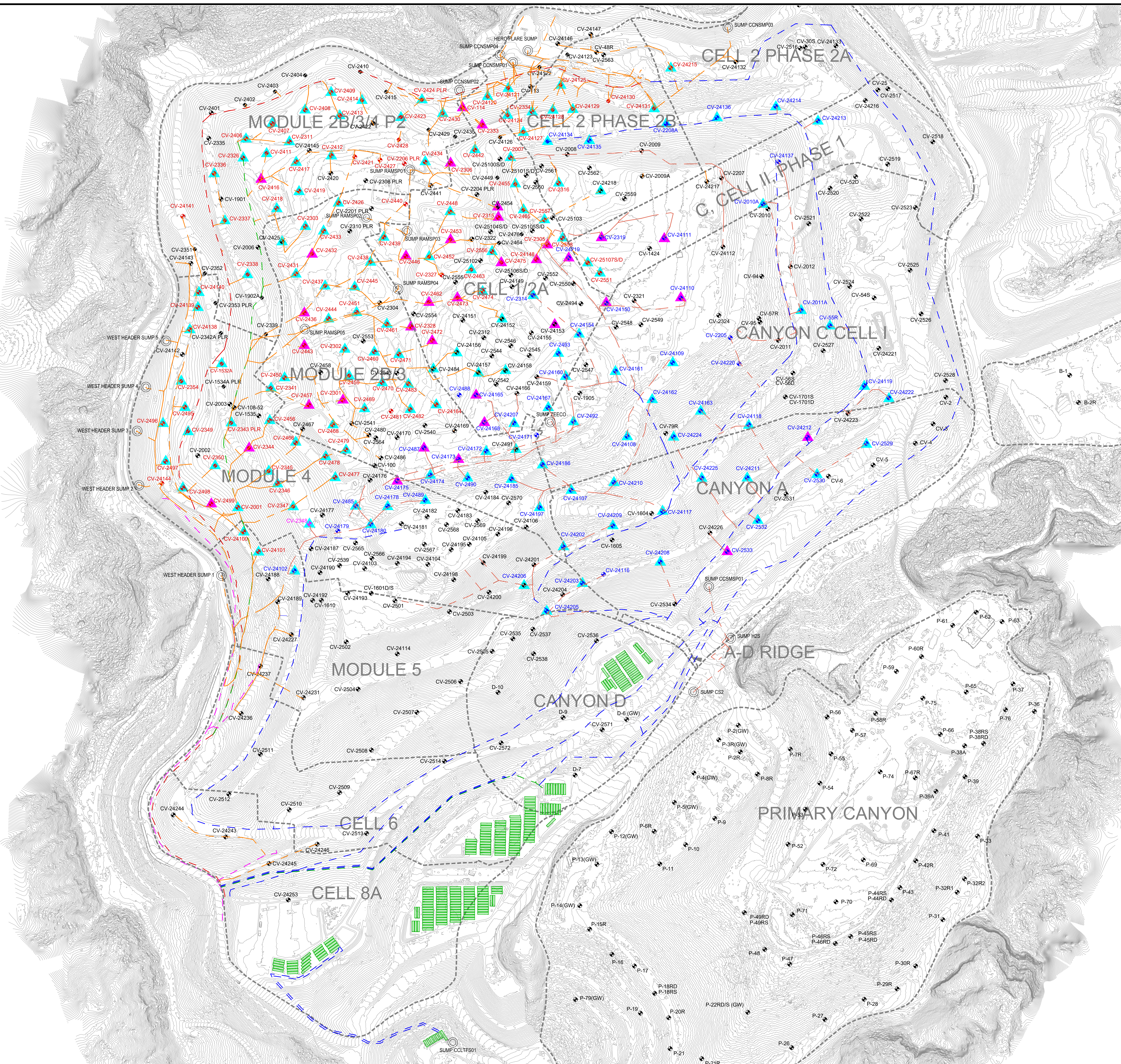
248.930.2779

Gerente de Cumplimiento Corporativo

Waste Connections



N:\CAD\ASBUILT - MASTERS\CHIOUITA\CCCS\LCL_MASTER_LMS_ASBUILT_2026-02-12.dwg Apr 16, 2026 - 1:41pm By: akarram



- 1150 — EXISTING TOPOGRAPHIC CONTOUR
- - - - EXISTING CELL LIMITS (APPROXIMATE)
- CV-xxx EXISTING VERTICAL LFG EXTRACTION WELL
- ⊙ EXISTING CONDENSATE SUMP
- ▲ EXISTING DE-WATERING WELL WITH PUMP - CURRENTLY RUNNING
- ▲ EXISTING DE-WATERING WELL WITH PUMP - INSTALLED
- EXISTING FRAC TANK
- - - - EXISTING 8" (A) FORCEMAIN
- - - - EXISTING 6" (A) FORCEMAIN
- - - - EXISTING 6" (B) FORCEMAIN
- - - - EXISTING 4" (A) FORCEMAIN
- - - - EXISTING 4" (C) FORCEMAIN
- GROUP A SAMPLE PORT
- GROUP B SAMPLE PORT
- GROUP C SAMPLE PORT

- GENERAL DRAWING NOTES:
1. EXISTING TOPOGRAPHIC SURVEY INFORMATION SHOWN WAS PROVIDED BY PROPELLOR. AERIAL PHOTOGRAPHY DATED FEBRUARY 10, 2026.
 2. NORTH ARROW SHOWN HERE IS REFERENCE TO THE CALIFORNIA STATE PLANE ZONE V COORDINATE SYSTEM, NAD 83.
 3. THE LOCATION OF ANY EXISTING PIPING, VALVES, TIE-IN LOCATIONS AND OTHER FEATURES ARE APPROXIMATE AND SHOULD BE USED FOR INFORMATION PURPOSES ONLY. ACTUAL FIELD CONDITIONS MAY VARY AND SUBJECT TO CHANGE BASED ON TOPOGRAPHIC FEATURES, AND OTHER SITE-SPECIFIC FACTORS.

	DATE								
	REVISION								
	NO.								
EXISTING DE-WATERING SYSTEM MAP									
CHIOUITA CANYON LANDFILL CASTAIC, CALIFORNIA									
CHIOUITA CANYON LANDFILL CASTAIC, CALIFORNIA									
SCS ENGINEERS ENVIRONMENTAL CONSULTANTS									
DATE: 02/12/2026									
SCALE: AS SHOWN									
1 of 1									

CCL – TF7

CONDENSATE

B-SUMP

Storm Water

LCM

LCM-05

LCM-06

LCM-15

SW-03

SW-04

LCM-04

LCM-07

LCM-14

SW-02

SW-05

LCM-03

LCM-08

LCM-13

SW-01

SW-06

LCM-02

LCM-09

LCM-12

44

SW-07

LCM-01

LCM-10

LCM-11

111

SW-08

Updated: 12/10/25

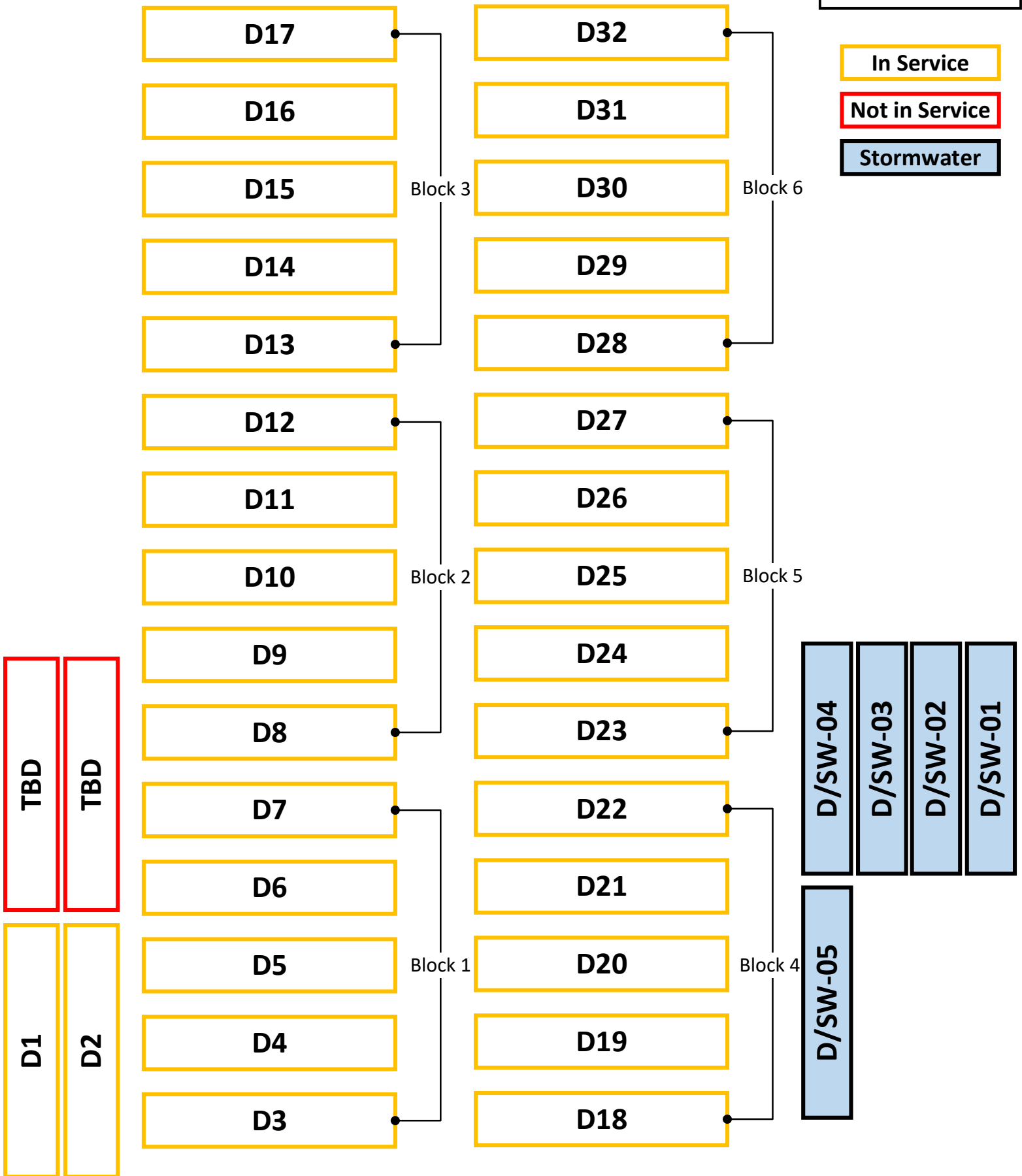


CCL – TF10



Montrose Environmental Group

Updated: 12/10/25



CCL Tier 3 POST TREATMENT

- 4" Black Line : Treatment Fill Pipe
- 4" Blue Line : Loadout Pull Pipe
- 4" Orange Line : Retreat Pipe

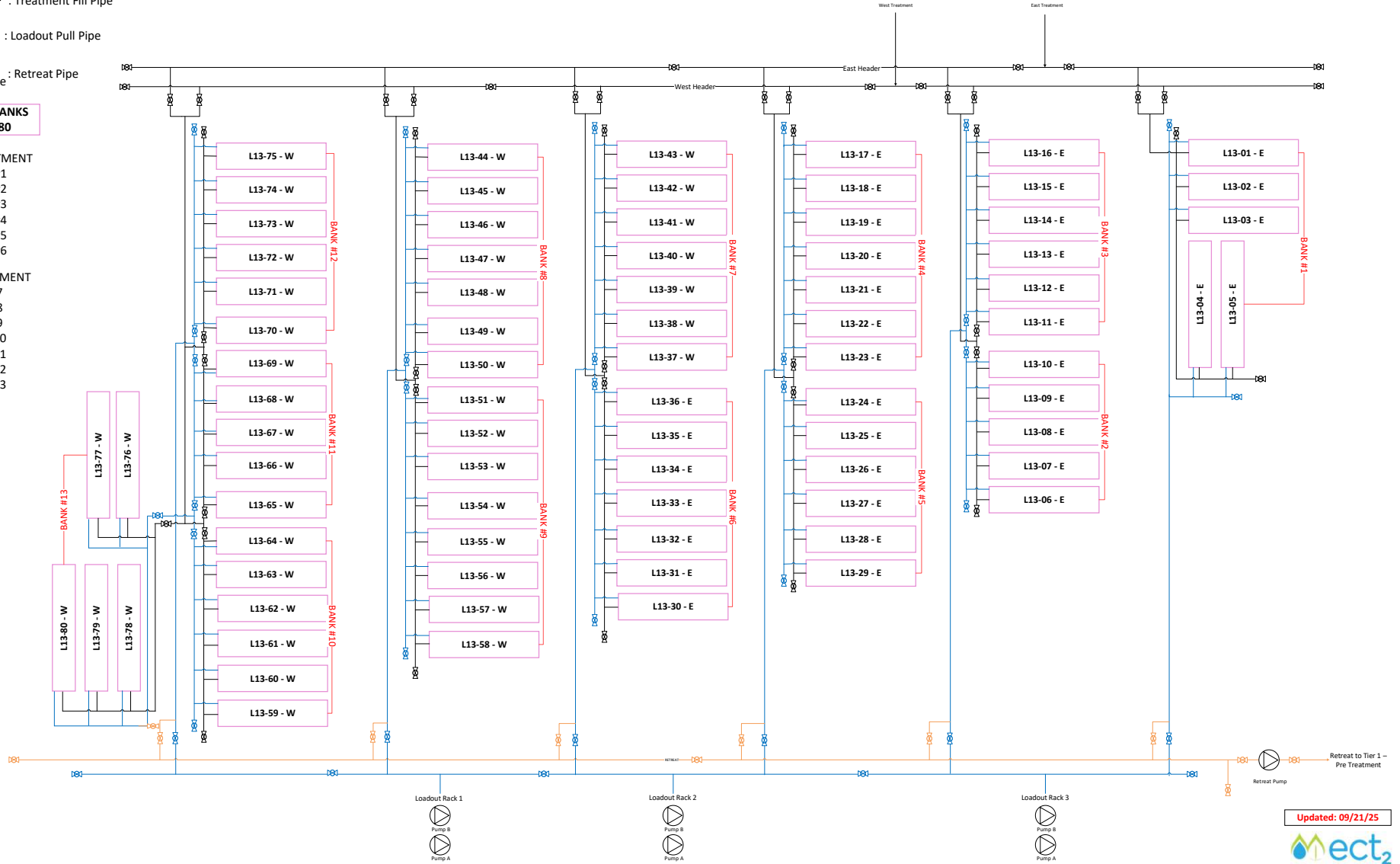
TREATED TANKS
Total = 80

EAST TREATMENT

- Bank #1
- Bank #2
- Bank #3
- Bank #4
- Bank #5
- Bank #6

WEST TREATMENT

- Bank #7
- Bank #8
- Bank #9
- Bank #10
- Bank #11
- Bank #12
- Bank #13



Updated: 09/21/25



CCL Tier 1 PRE-TREATMENT

- 4" Green Line 4" Black Line
- HAZ Loadout Treatment Pipe
- 4" Orange Line 8" Red Line
- Retreat Pipe Inlet Feed Pipe
- 4" Purple Line 4" Blue Line
- Backwash & Sludge Tanks
- Dewatering Pipe Fill/Pull Pipe

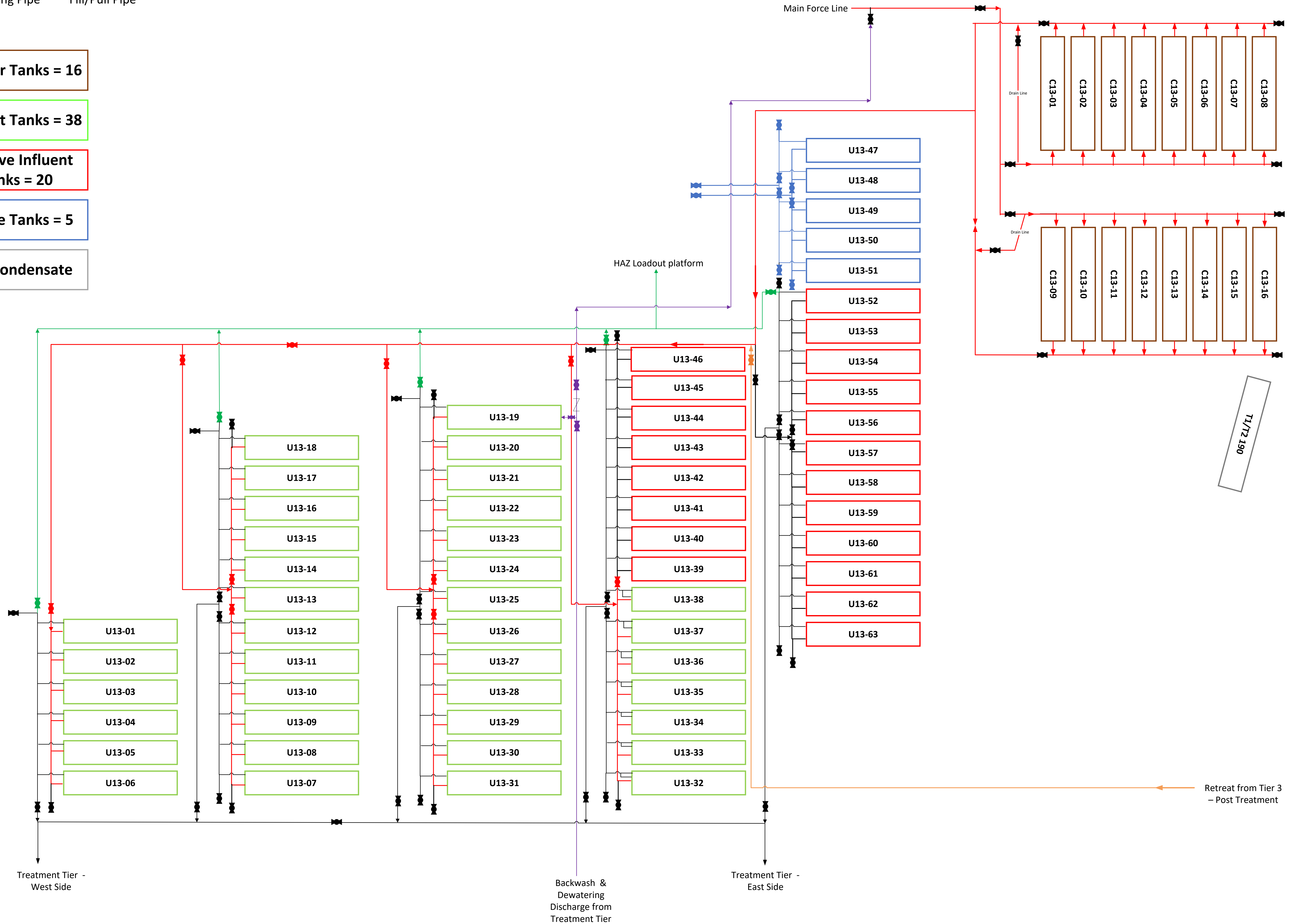
Clarifier Tanks = 16

Influent Tanks = 38

Reserve Influent
Tanks = 20

Sludge Tanks = 5

H2S Condensate



Updated: 10/5/25