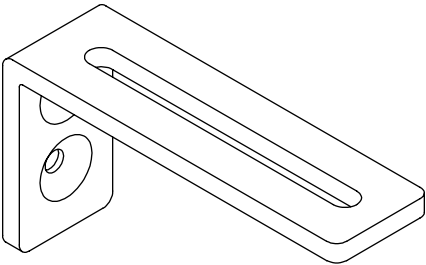


**COMPONENTS | Hardware**

---

**NOTE:** Wall brackets are required to suspend rails from a vertical wall structure instead of directly from the ceiling

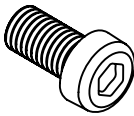
Wall brackets support single and double rails that can be positioned laterally to create up to a 4 track application. See page 6.



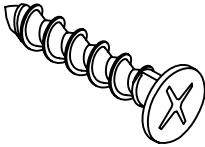
Wall Bracket  
x2



Hex Nut M6  
x8

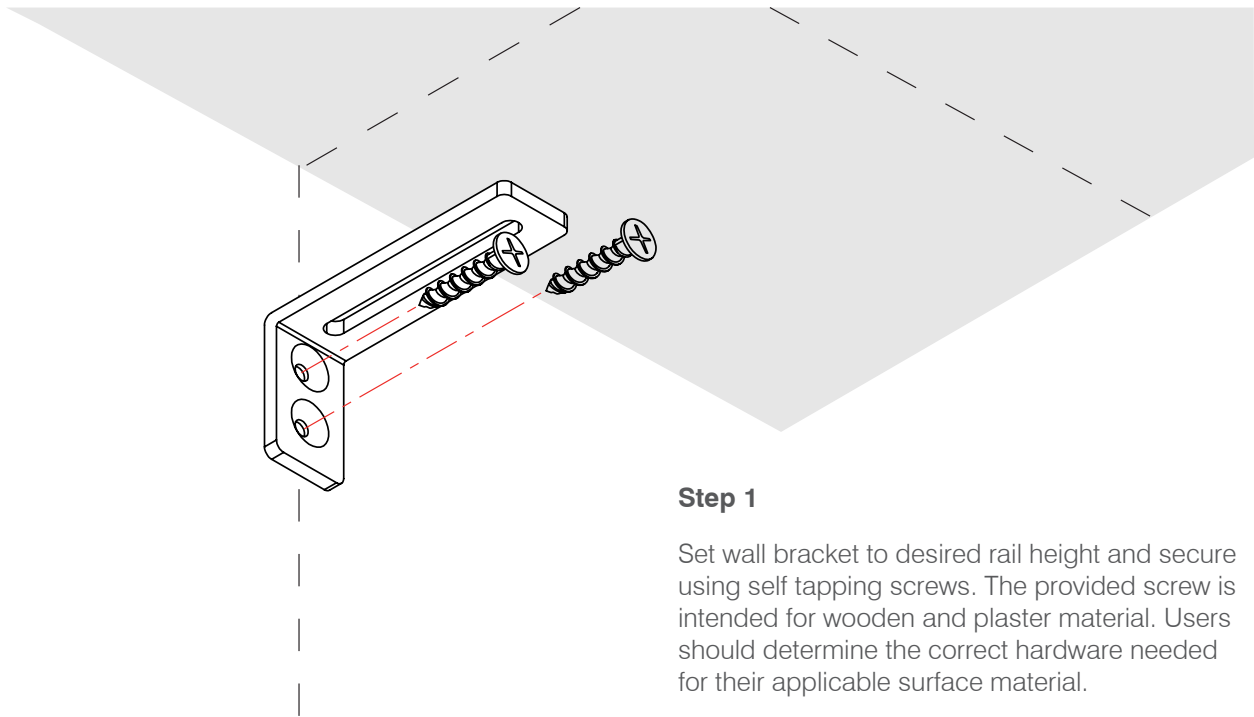


Bolt M6x12  
x8



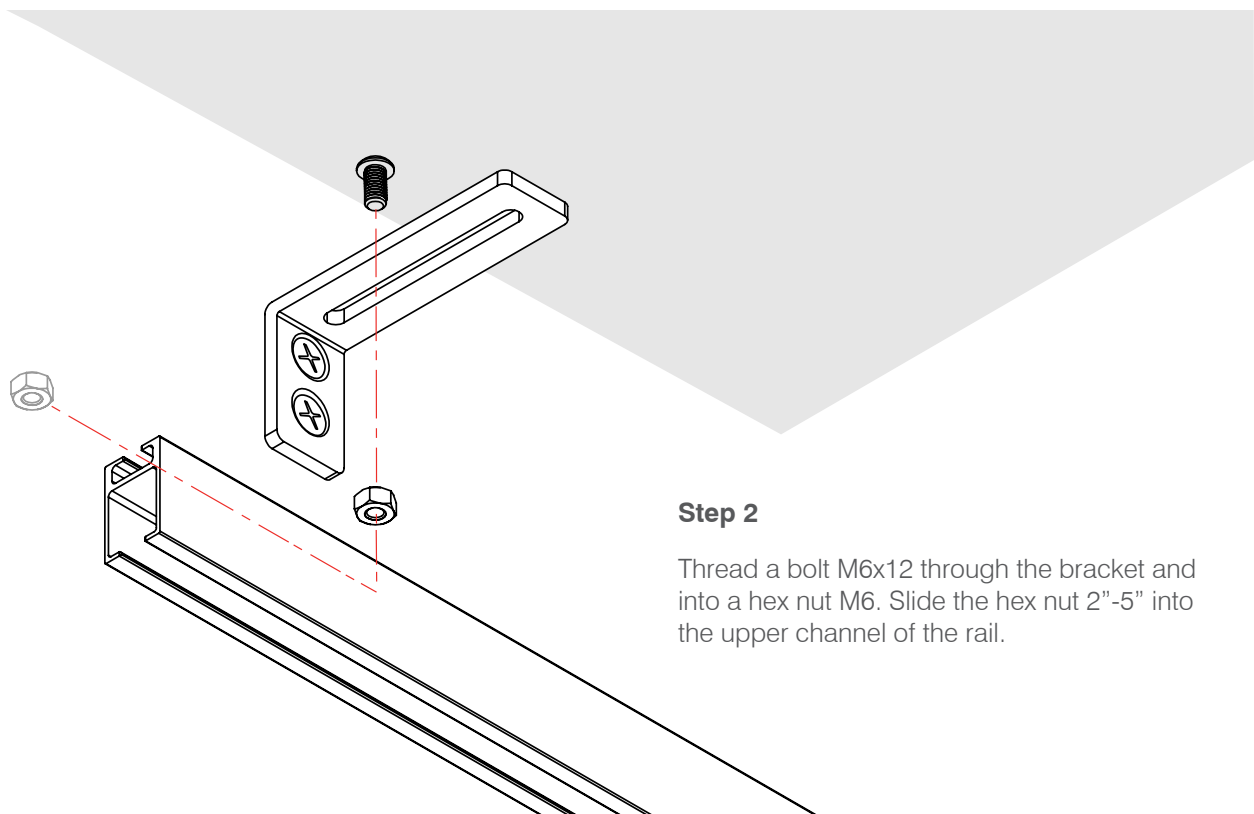
Self Tapping Screw  
x4

## PHASE 1



### Step 1

Set wall bracket to desired rail height and secure using self tapping screws. The provided screw is intended for wooden and plaster material. Users should determine the correct hardware needed for their applicable surface material.



### Step 2

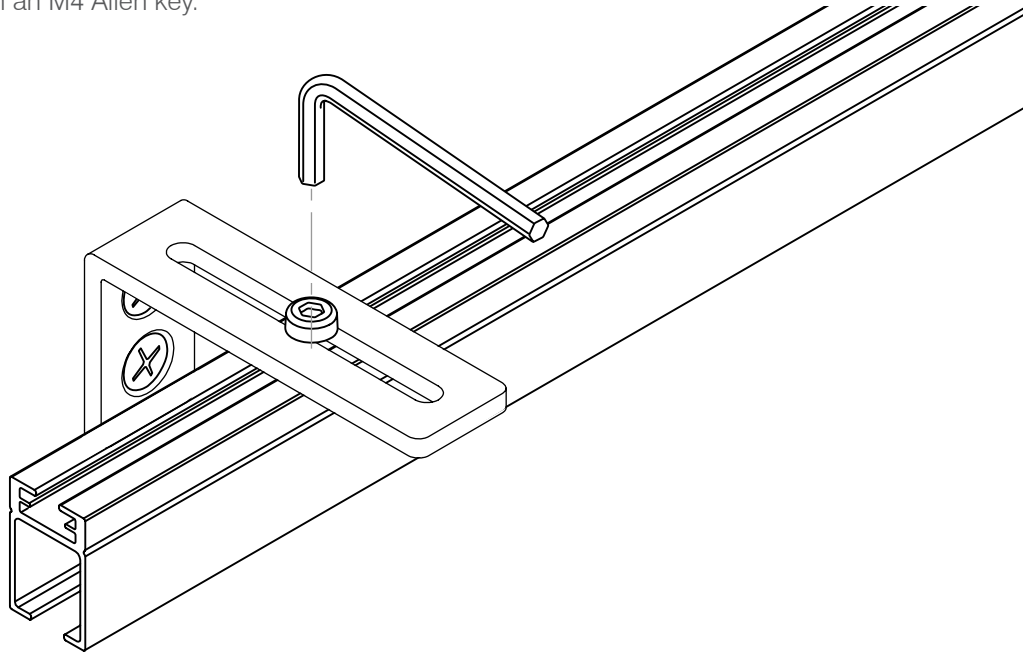
Thread a bolt M6x12 through the bracket and into a hex nut M6. Slide the hex nut 2"-5" into the upper channel of the rail.

## PHASE 1

---

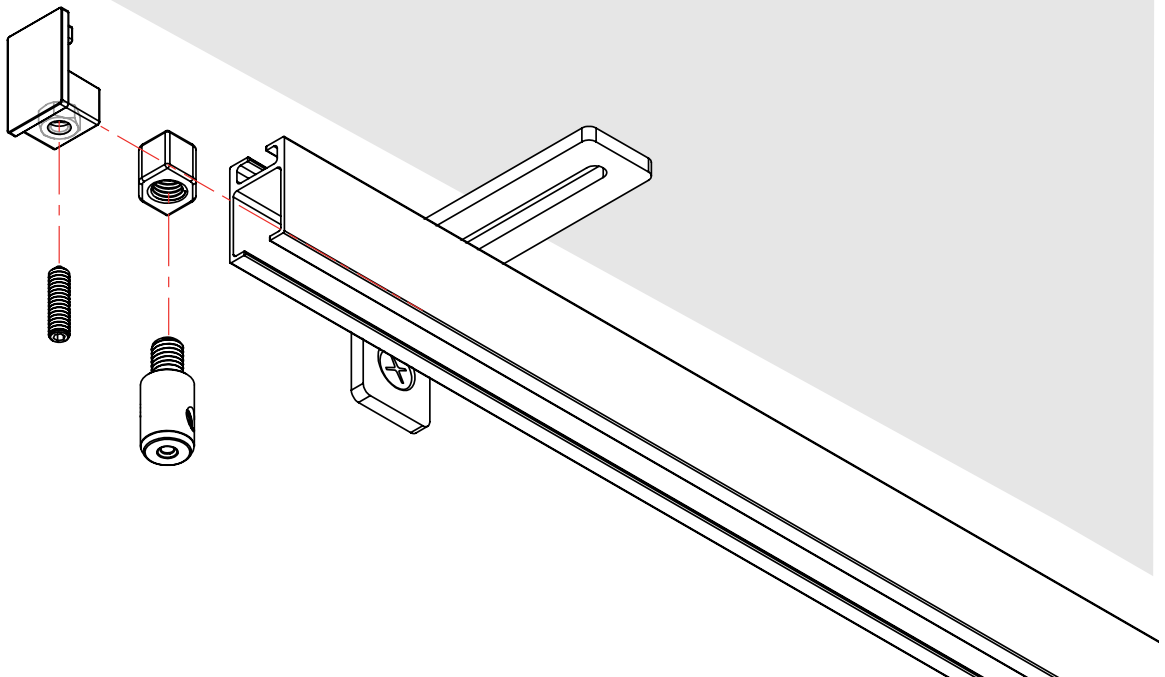
### Step 3

Tighten the bolt with an M4 Allen key.

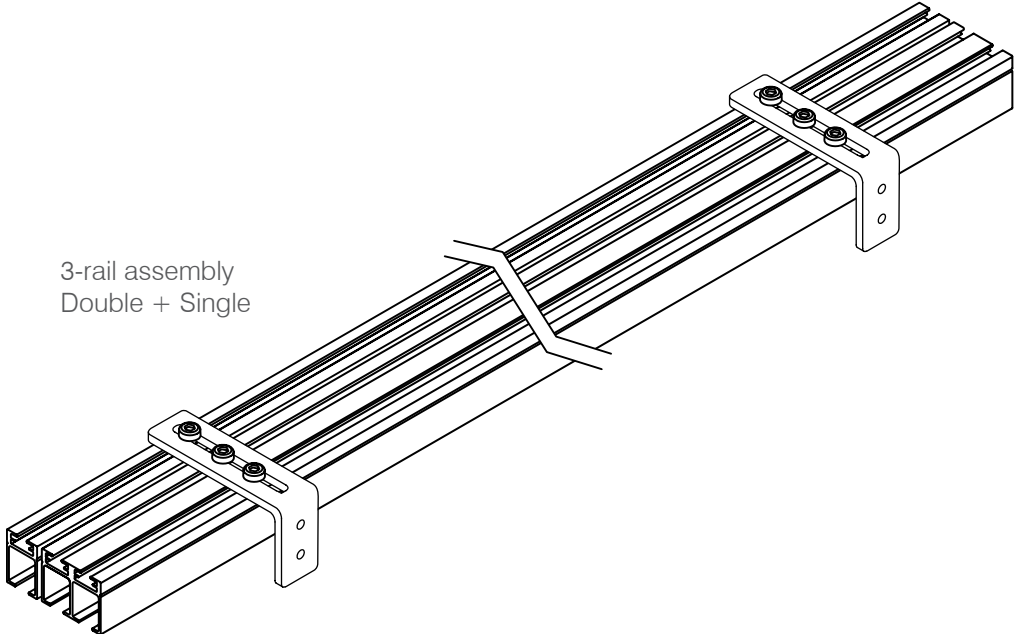


### Step 4

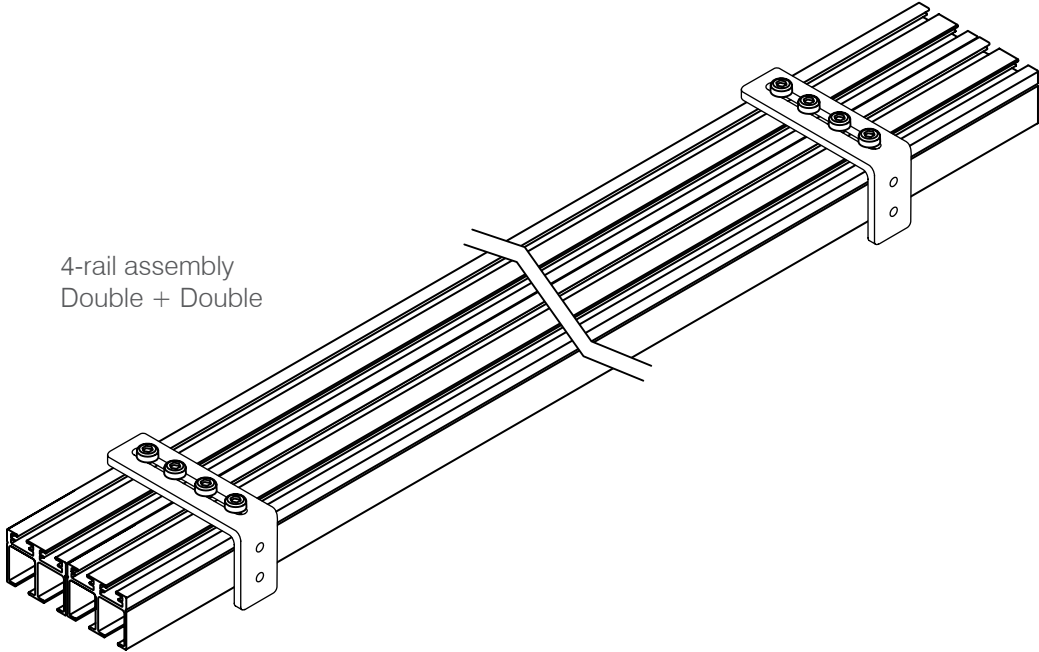
Insert mounting attachments and endcaps.  
Reference applicable installation guide for panel suspension instructions.



**NOTE:** Users can assemble up to a 4 track application by combining single and double rails

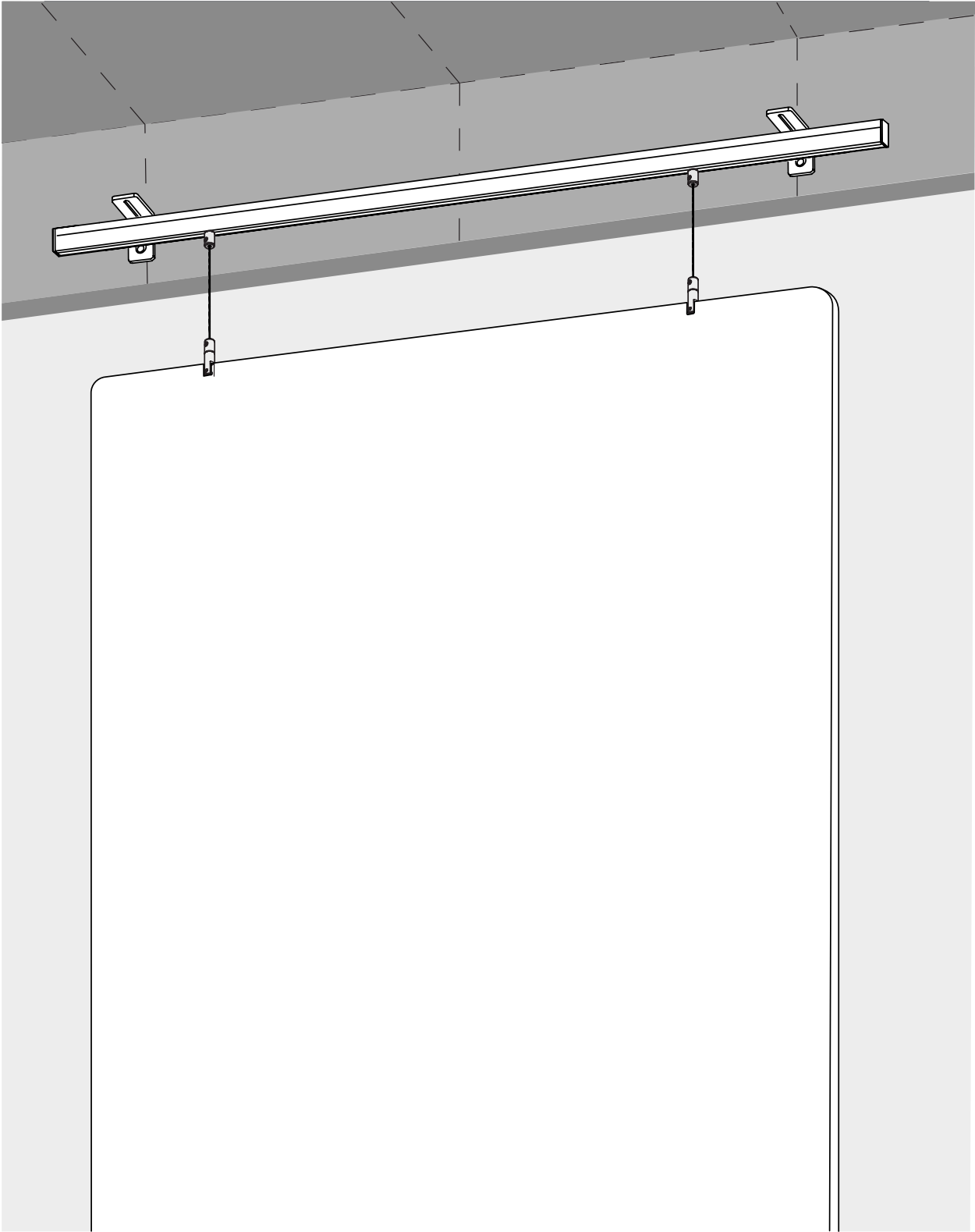


3-rail assembly  
Double + Single



4-rail assembly  
Double + Double

TEMPLATE



Please contact [cc@amqsolutions.com](mailto:cc@amqsolutions.com) if you are missing any parts, have difficulty with assembly, or have any product related questions.