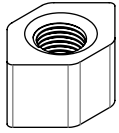


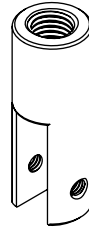
COMPONENTS | Hardware



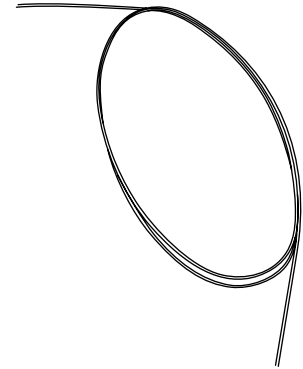
Wedge Nut
x2



Cable Gripper
x2



Bracket Housing
x2



Stainless Steel Cable (5 ft)
x2



Inset Screw M6x8
x2

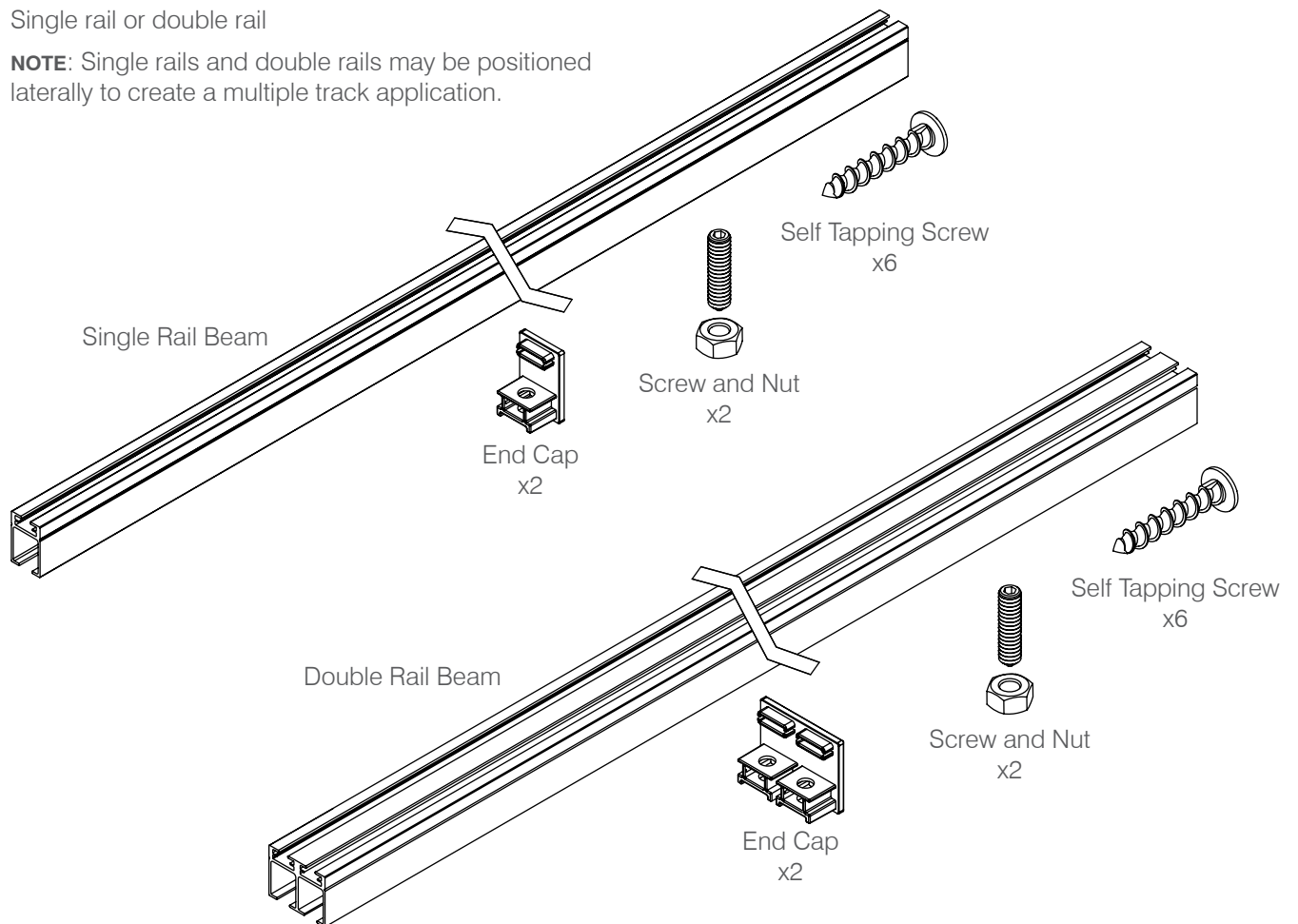


Inset Screw M5x16
x2

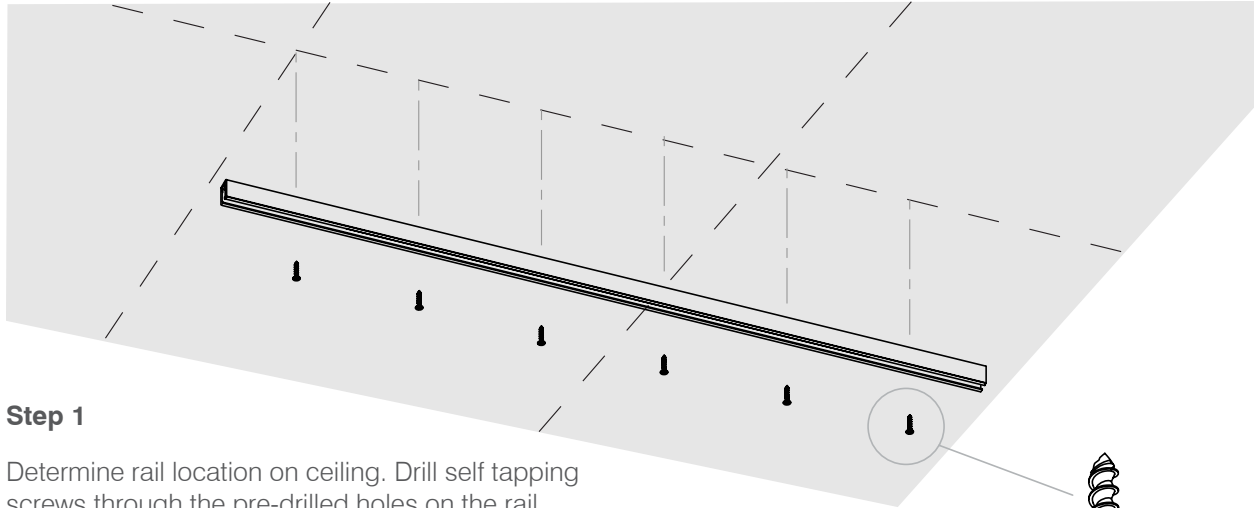
COMPONENTS | Rail Beam

Single rail or double rail

NOTE: Single rails and double rails may be positioned laterally to create a multiple track application.



PHASE 1



Step 1

Determine rail location on ceiling. Drill self tapping screws through the pre-drilled holes on the rail into the ceiling.

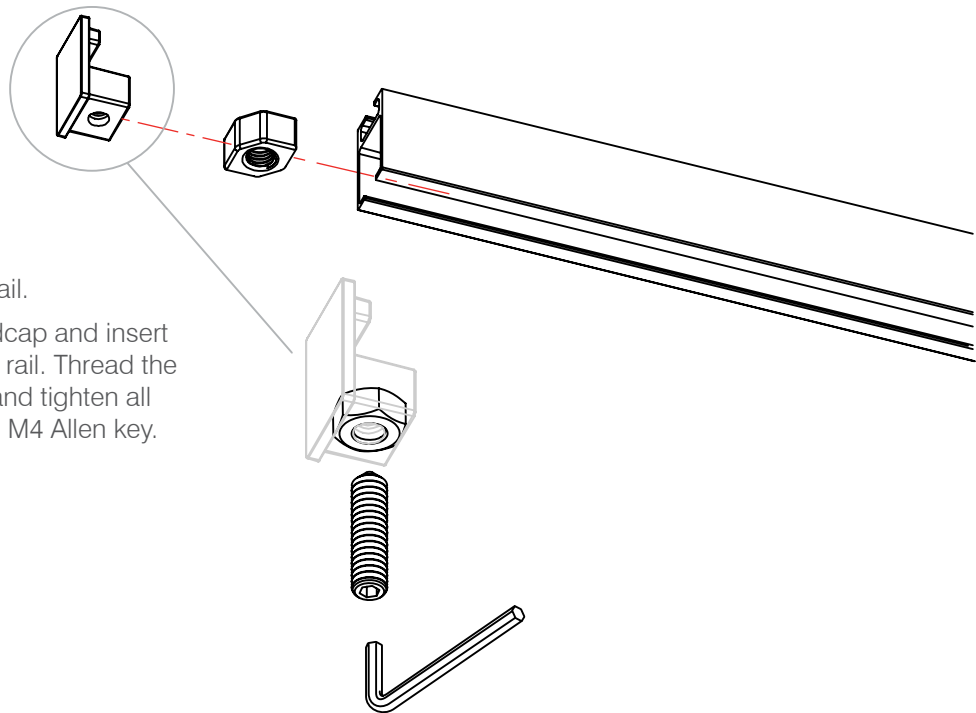
NOTE: The provided screw is intended for wooden and plaster material. Users should determine the correct hardware needed for their applicable ceiling material.



Step 2

Insert wedge nuts into rail.

Place nut inside the endcap and insert the endcap to close the rail. Thread the screw into the endcap and tighten all the way through with an M4 Allen key.

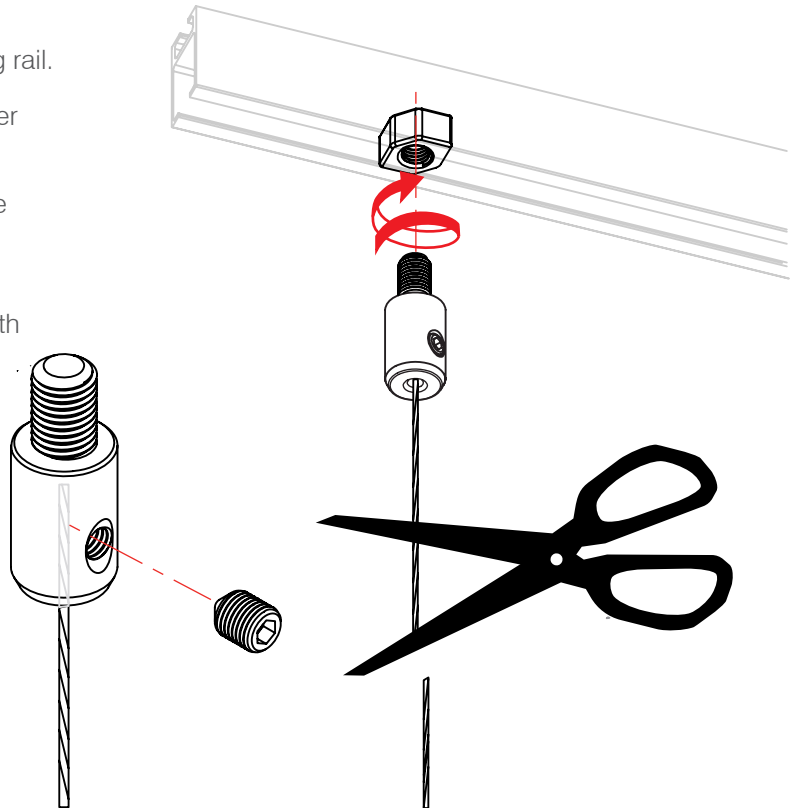


PHASE 1

Step 3

1. Determine wedge nut position along rail.
2. Insert the cable into the cable gripper and secure using an M6x8 screw.
3. Thread cable gripper into the wedge nut and tighten by hand only.

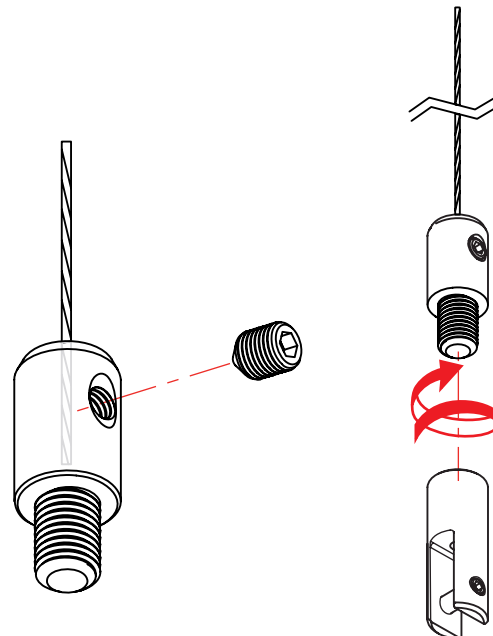
NOTE: The provided cable length is 5ft; however, users may trim to desired length based on ceiling height.



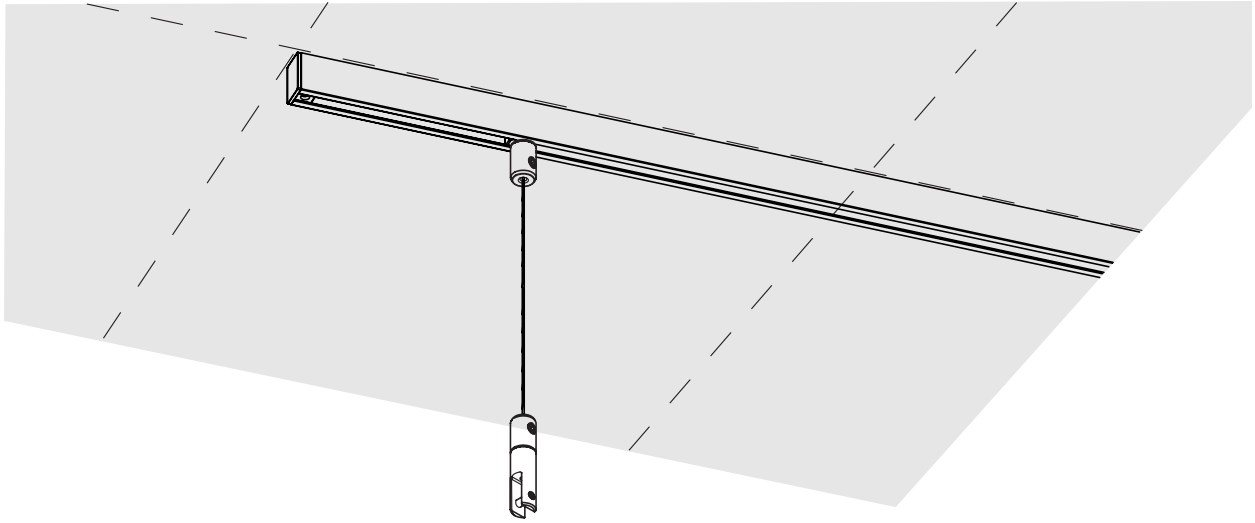
Step 4

Insert the other end of the cable into the cable gripper and secure using an M6x8 screw. Thread cable gripper into the bracket housing and tighten by hand only.

NOTE: Cable grippers are identical and can be used interchangeably between top and bottom assembly.



PHASE 1



Step 5

Repeat step 2 - 4 for the other side.

PHASE 2 | Panel attachment

Step 1

Locate and drill pilot holes for the bracket housing on the panel.

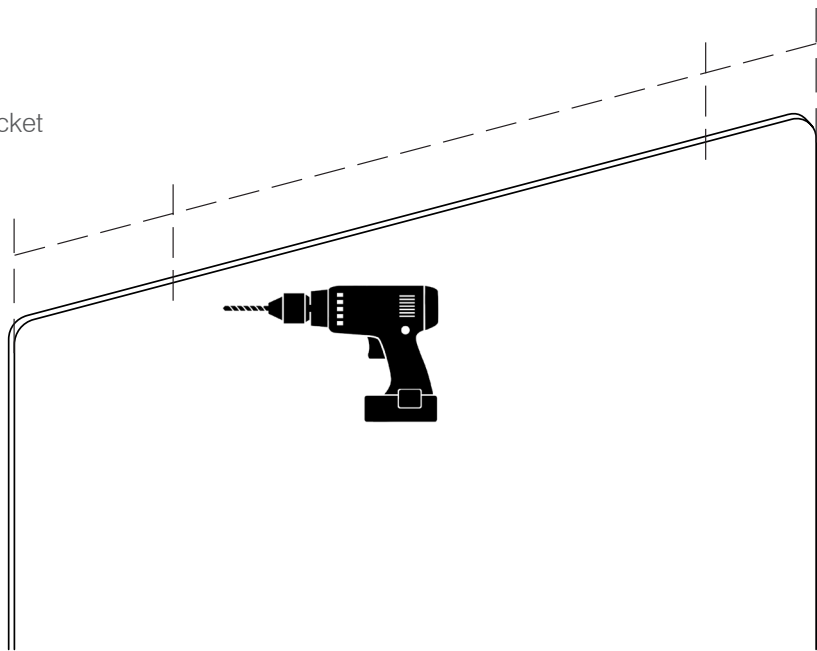
Use bracket housing along the top of the panel to mark pilot holes.

Recommended spacing from edge:

28" panel: 4" from edge

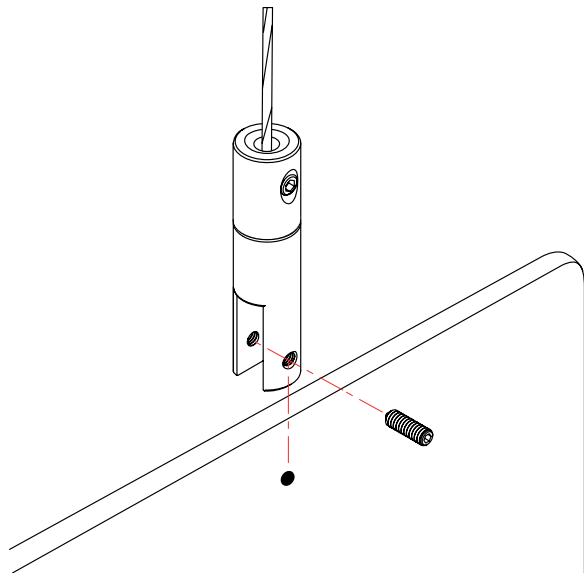
38" panel: 6" from edge

48" panel: 6" from edge



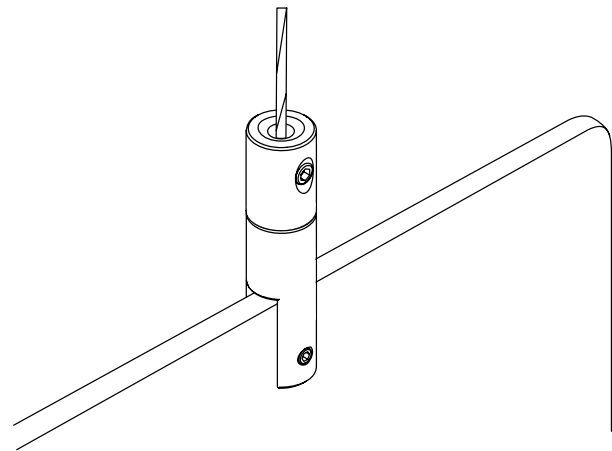
Step 2

Align the bracket housing with the pilot hole in the panel and secure using an M5x16 screw.



Step 3

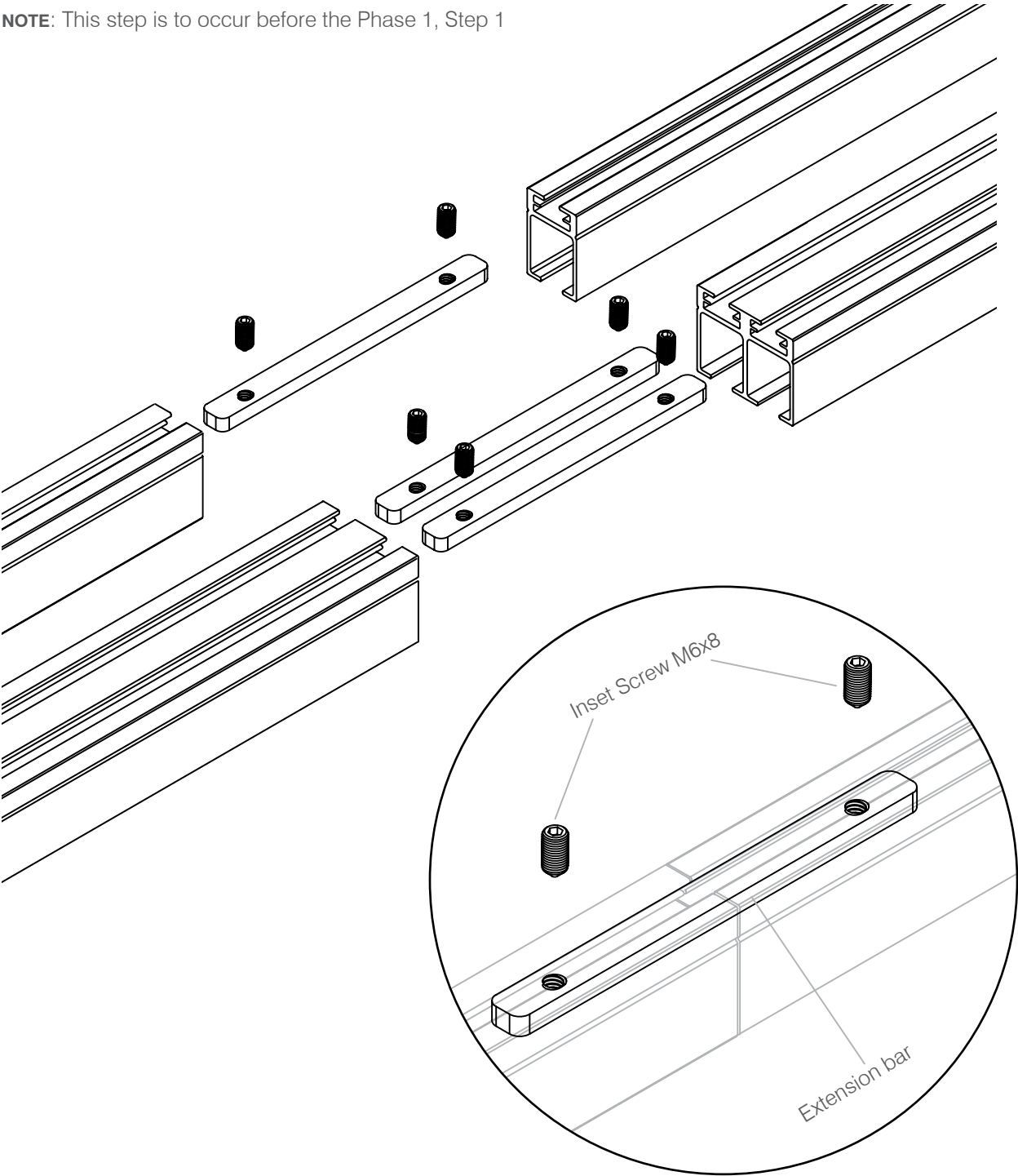
Tighten the screw to ensure the screw goes all the way through the panel and stays flush.



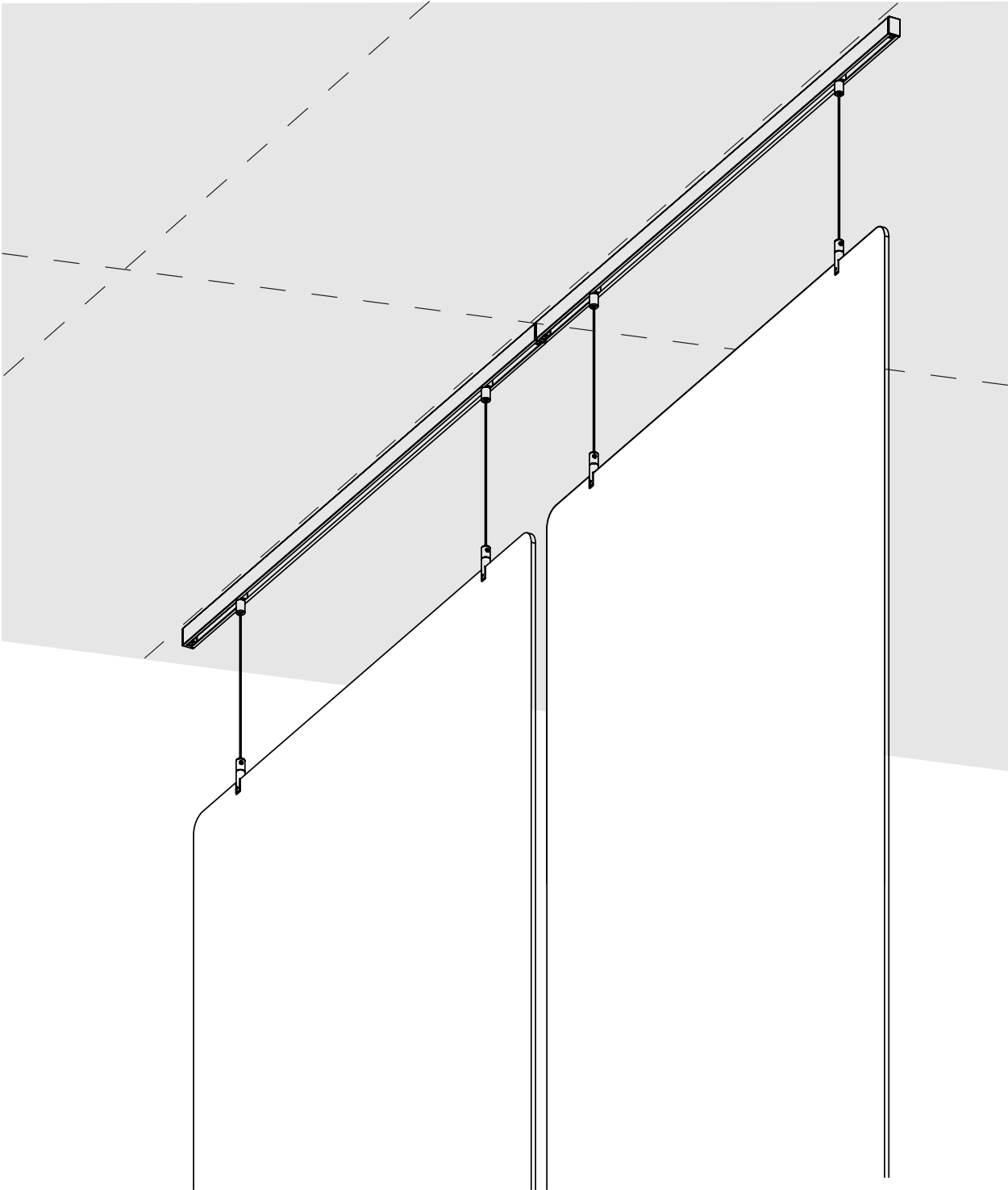
Step 3

Extend rail length by inserting the bridge in the upper channel between the ends of two rails to connect them. Secure in place using M6x12 screws.

NOTE: This step is to occur before the Phase 1, Step 1



FINISH



Please contact cc@amqsolutions.com if you are missing any parts, have difficulty with assembly, or have any product related questions.