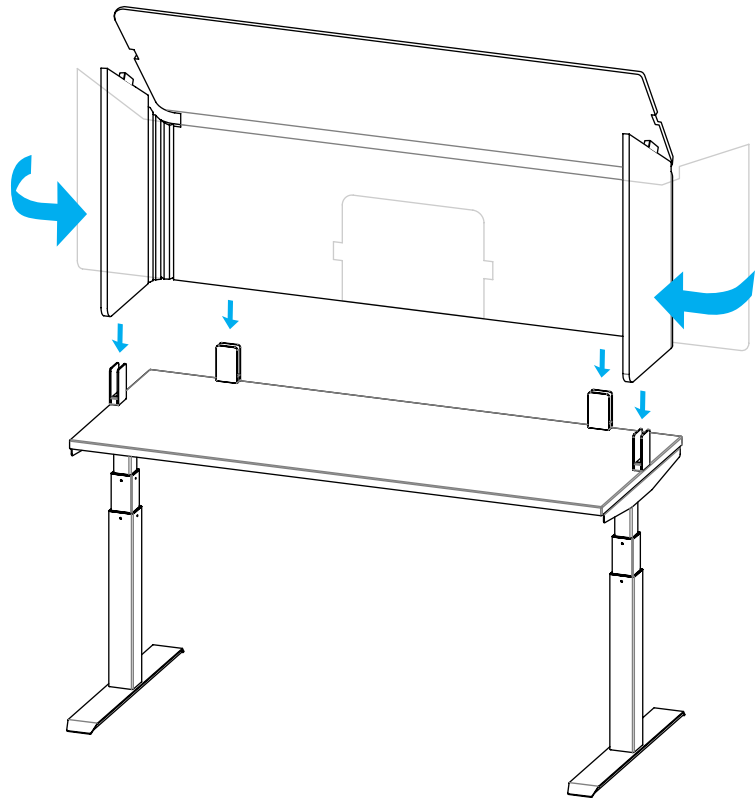




INSTALLATION

Step 1

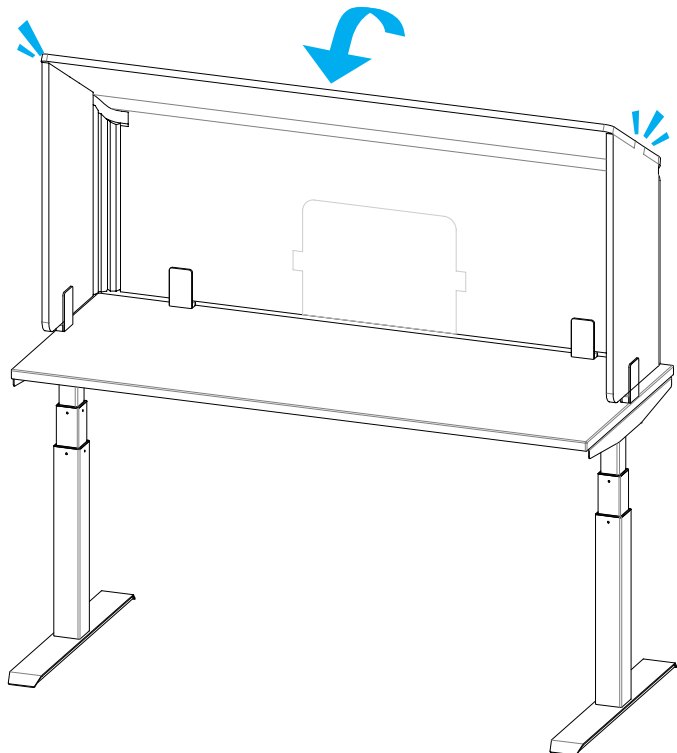
Align and insert the back and side panels into the top mounted brackets until they sit flush into the bracket.



Step 2

Match the notch on top of the side panel with the opening on the hood. Push down on the hood so it sits snug on the side panel.

Tip: For better alignment with the hood and the side panel, push the back of the side panel on the inner edge outwards while pulling the front of the panel inwards.

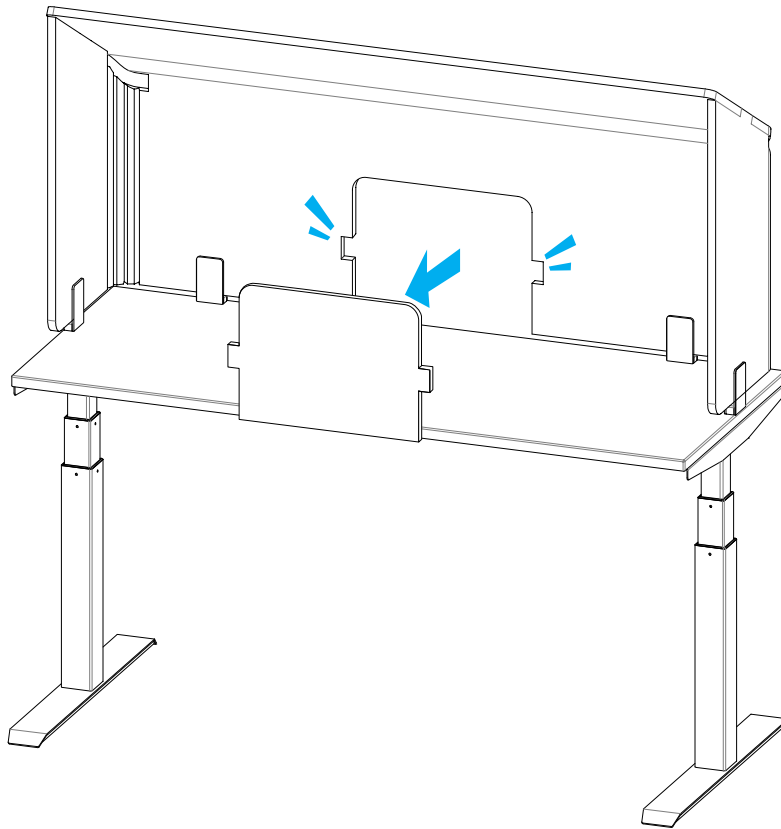


INSTALLATION

Step 3

To remove the monitor arm cut-out, simply pop the cut-out out from the back panel.

To plug the monitor arm cut-out back into the panel, match the notches on the cut-out with the opening and push inwards.



Please contact cc@amqsolutions.com if you are missing any parts, have difficulty with assembly, or have any product related questions.