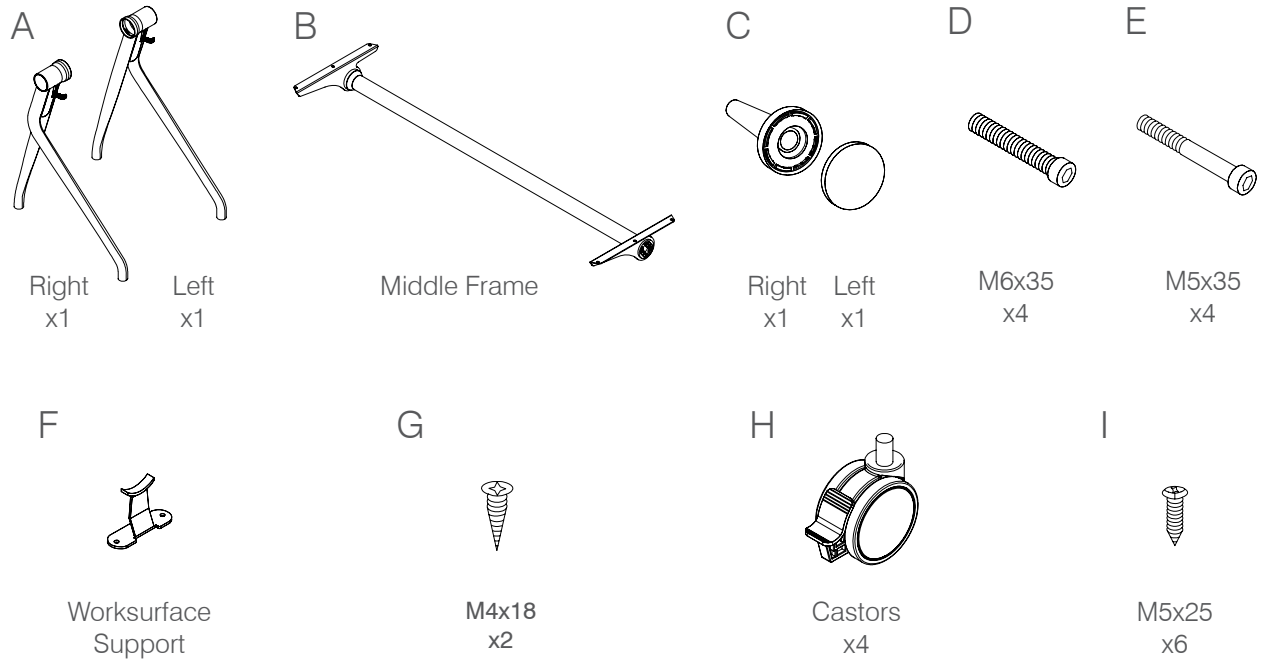
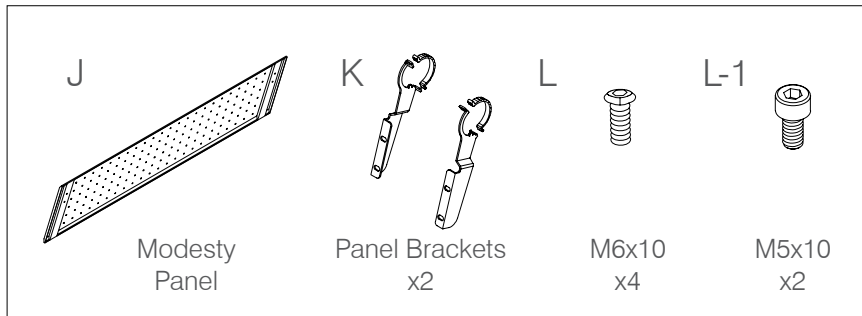




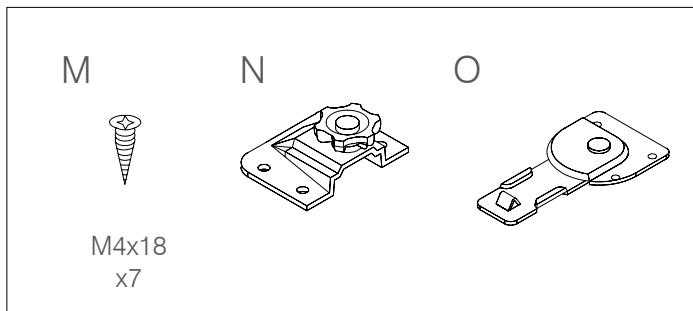
COMPONENTS



OPTIONAL (MODESTY PANEL)



OPTIONAL (GANGING DEVICE)



PHASE 1 | Concur Assembly

Step 1

Select one leg (A) and attach it to the middle frame (B) with one of the D screws. Tighten a bit but not completely.

Insert a second D screw and loosely tighten. Now tighten both (D) screws completely.

Next, tighten the (E) screws in the same method you used for the (D) screws, leaving loose until all 4 are in place and then tightening.

Repeat with the other leg.

Step 2

Twist to insert the (C) push button bracket, followed by the button cover. Repeat on the other side.

If Installing Modesty Panel:

Step 3

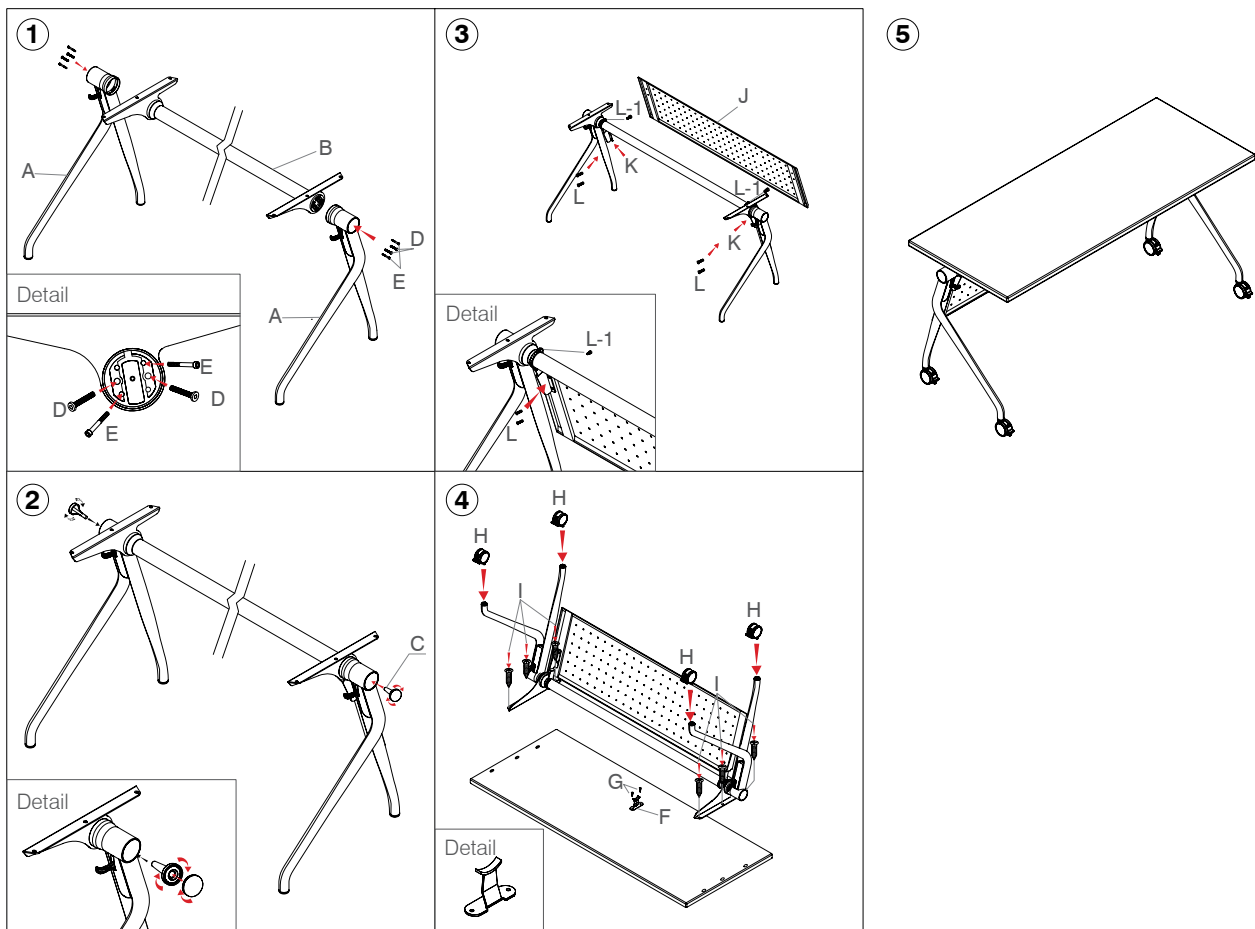
Connect the Panel Brackets (K) to the middle frame (B), locking it with the (L-1) screws (x2). Connect the Modesty Panel (J) and panel brackets with the (L) screws (x4).

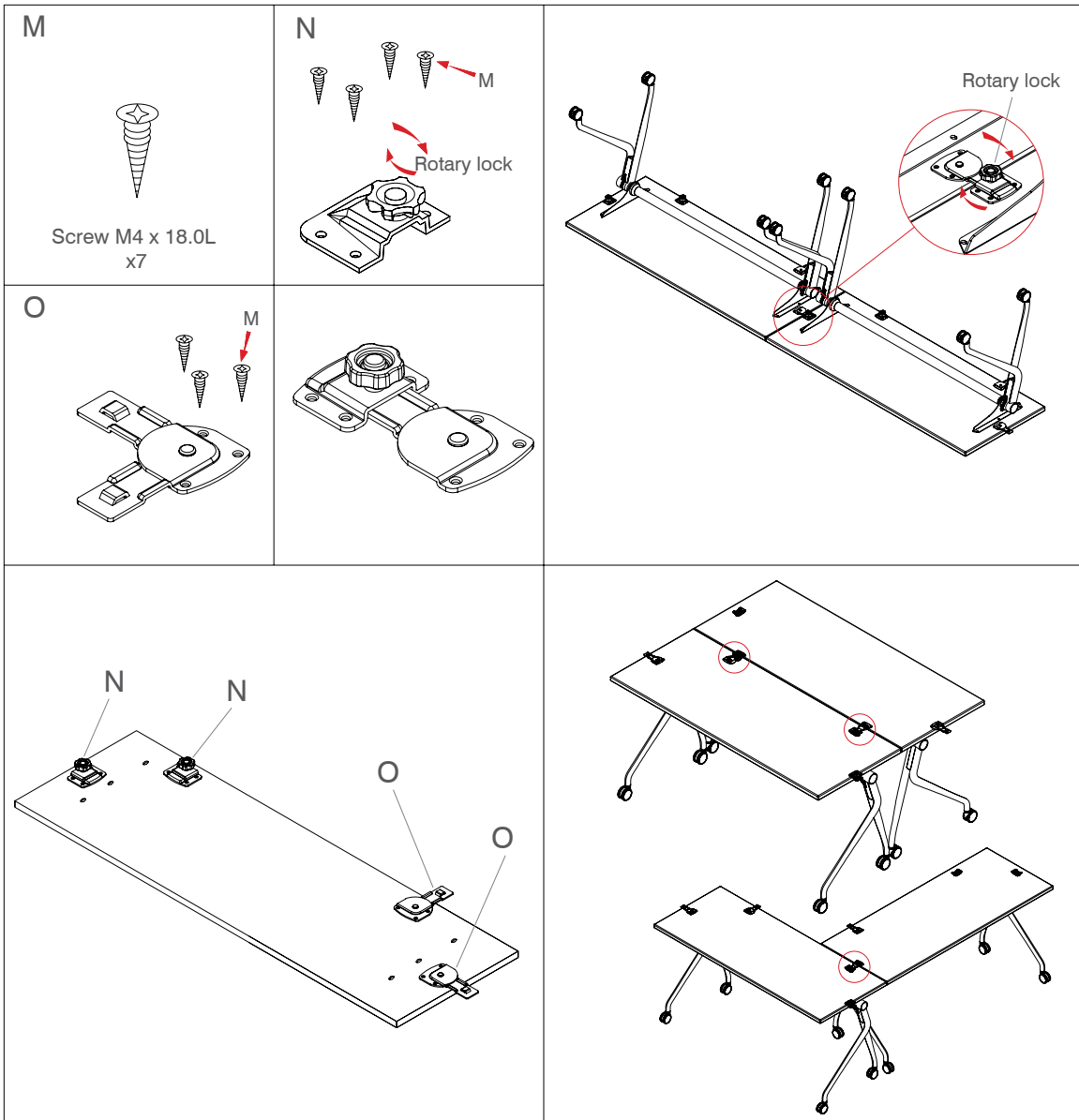
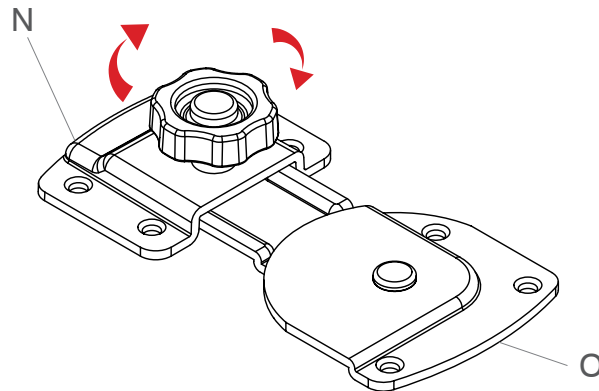
Step 4

Turn the work surface upside down and center align the Worksurface Support (F) using the (G) screws (x2). Now turn the leg and middle frame assembly upside down. Attach the worksurface to the cantilevers of the frame assembly using the (I) screws (x6). Insert the castors firmly into the legs until locked in place.

Step 5

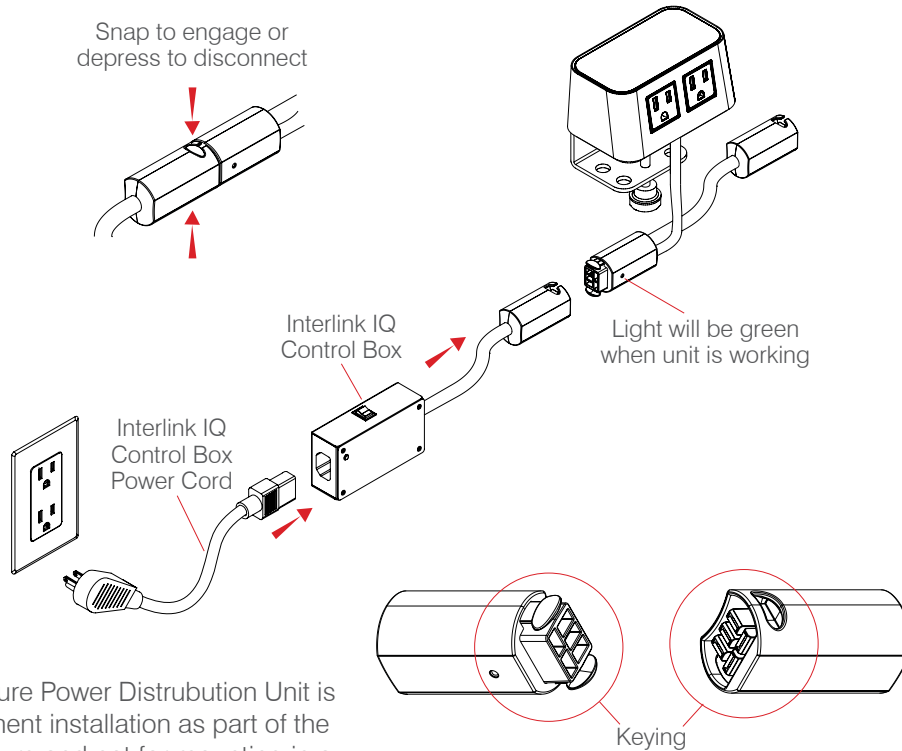
Turn your finished CONCUR table over to use.





Step 1

Install Interlink IQ Power/Data Units into worksurface. (Diagram shows a Mho Unit with a Interlink IQ system)



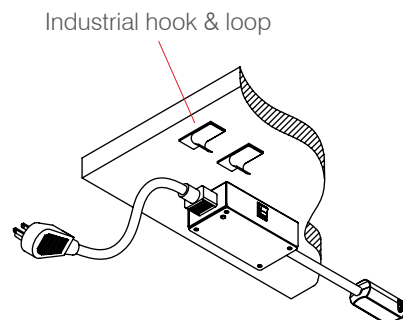
NOTE: A Furniture Power Distribution Unit is not for permanent installation as part of the building structure and not for mounting in a permanently-installed furnishing such as a fixed countertop.

Step 2

Connect Maximum of 8 of any combination Interlink IQ Power/Data and/or By Pass Units to Interlink IQ Control Box.

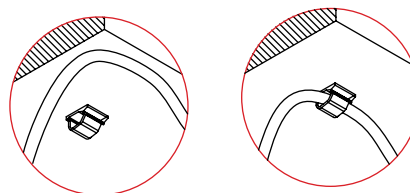
Step 3

Determine mounting location. Interlink IQ Control Box can be secured to worksurface by included industrial hook & loop.



Step 4

Use included clips to secure cords.

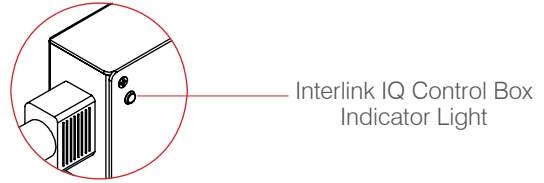


OPTIONAL | Interlink

NOTE: The Interlink IQ System monitors for correct number of Units. Once connected to power, light on Interlink IQ Control box will be green. If more than 8 Interlink IQ Power/Data or By Pass Units are plugged into the Interlink Control Box, power will shut down and light will be red.

To reset, disconnect extra Unit(s) and unplug Interlink IQ Control Box from power for 15 seconds. Reconnect power to the Interlink IQ Control Box. The Indicator light should be green.

NOTE: If Interlink IQ System is overloaded, the circuit breaker will trip and will have to be reset.



Please contact cc@amqsolutions.com if you are missing any parts, have difficulty with assembly, or have any product related questions.