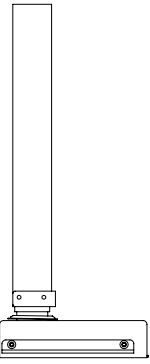
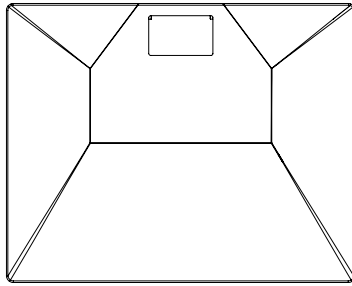




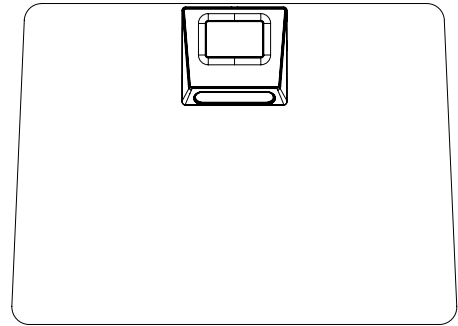
COMPONENTS



Column/Control Box



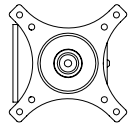
Base



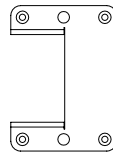
Primary Worksurface & Handset



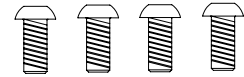
Power Cord



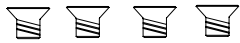
Monitor Holder



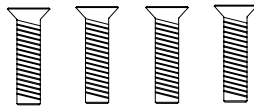
Support Plate



M6X14
x4



M6X8
x4



M6X25
x4



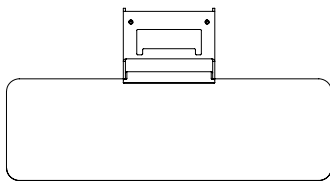
M6X12
x4



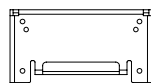
M4X10
x1

OPTIONAL

Keyboard Tray



Keyboard Tray Assembly

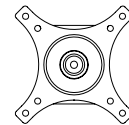


Keyboard Bracket

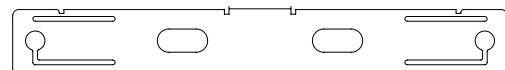


M6X12
x4

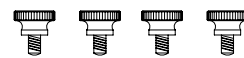
Dual Monitor



Monitor Holder



Dual Monitor Mount

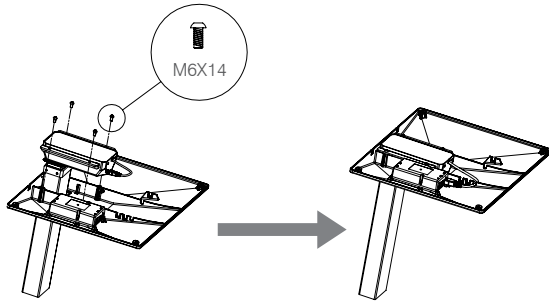


M6X10 Hand Screw
x4

INSTALLATION

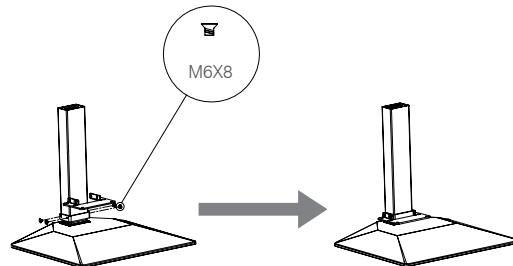
Step 1

Use M6X14 screws (x4) to assemble base to column. Wire the column to the control box.



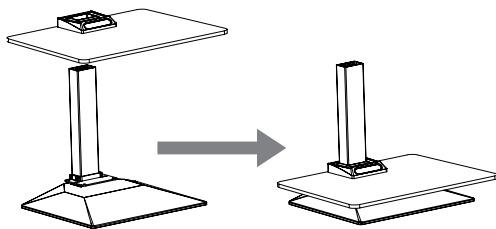
Step 2

Use M6X8 screws (x4) to assemble the support plate to pre-drilled holes at the bottom of column.



Step 3

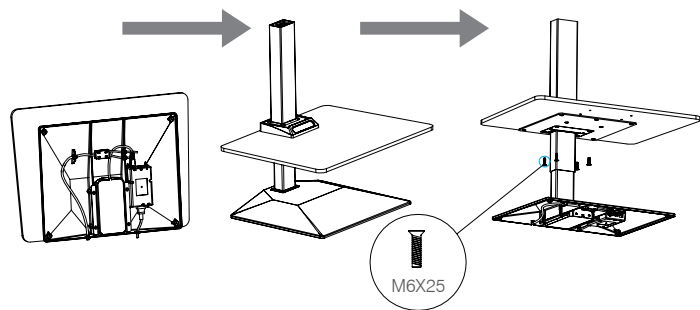
Slide the primary worksurface over the column and set column to lowest position.



Step 4

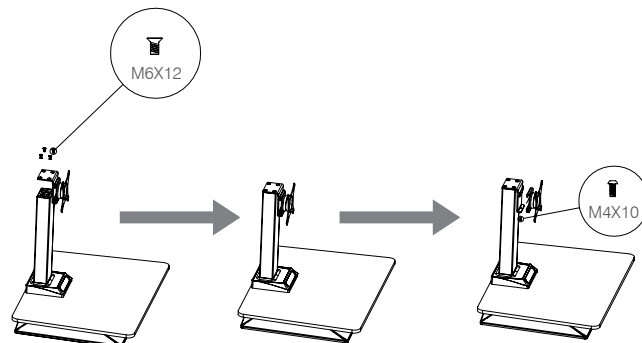
Wire the handset to the control box and plug in the power cord.

Raise the column at least 8 inches. Use M6X25 screws (x4) to mount the primary worksurface to support plate.



Step 5

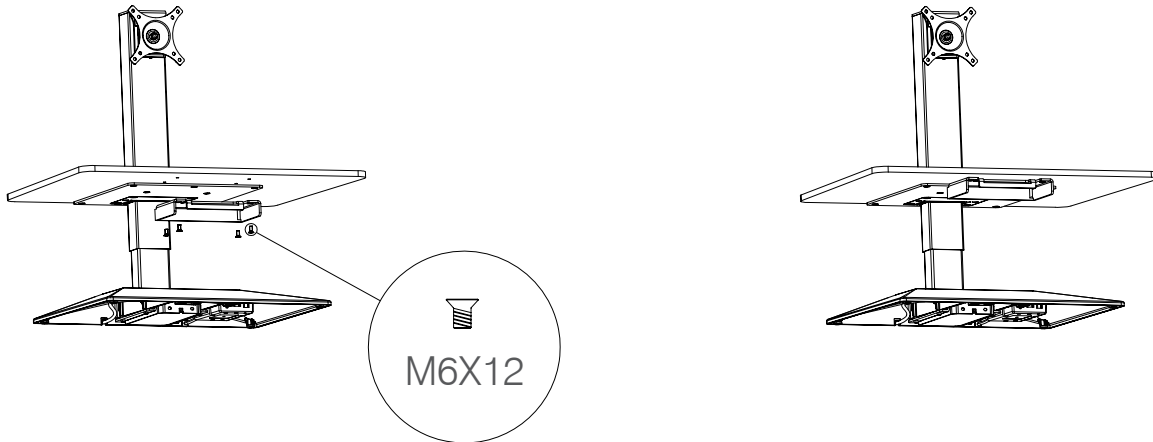
Use M6X12 screws (x4) to attach monitor holder to top of column. Remove the M4X10 screw under the monitor holder to release the VESA plate. Attach the VESA plate to the monitor and resecure to monitor holder with the M4X10 screw.



KEYBOARD TRAY

Step 1

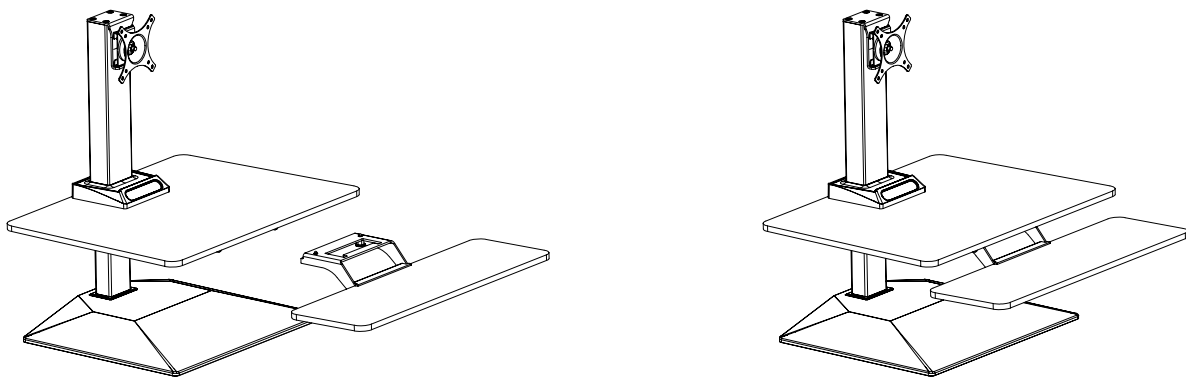
Using the M6X12 screws (x4), attach the keyboard bracket to primary worksurface via the predrilled holes on the bottom of primary worksurface.



Step 2

Insert Keyboard Tray Assembly into the Keyboard Bracket until the pin releases and keyboard tray is firmly secured.

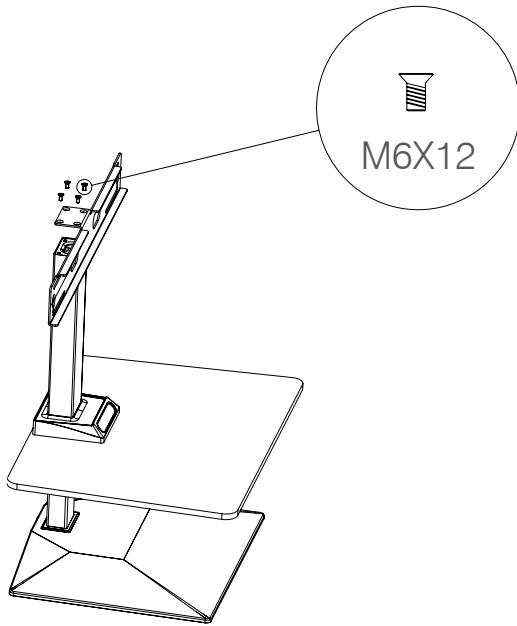
Installation of your DT Riser is complete.



DUAL MONITOR MOUNT

Step 1

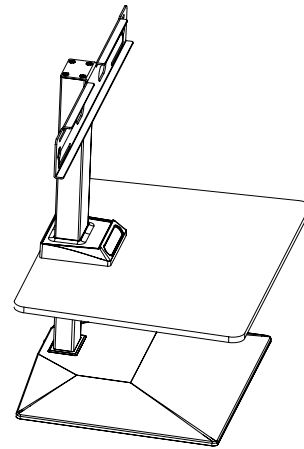
Use M6X12 screws (x4) to attach the dual monitor mount to top of the column.



Step 2

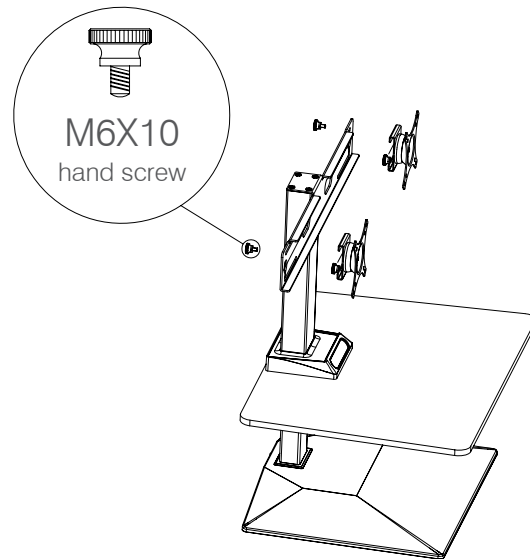
Prior to installing the monitors to the unit, use the monitor mount screws from your monitor to attach the VESA plates to each respective monitor.

Note: Single monitor holder is re-used for the dual monitor mount assembly.



Step 3

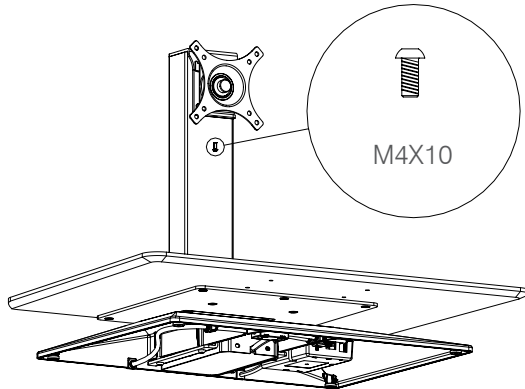
Use the M6X10 hand screws (x4) to fasten monitor holder to dual monitor mount through the horizontal cut-outs in the mount.



ADJUSTING VESA MOUNT TENSION

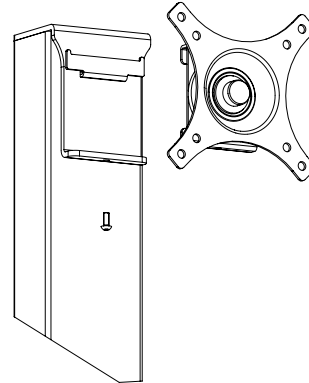
Step 1

Remove the M4X10 screw to release the VESA mount.



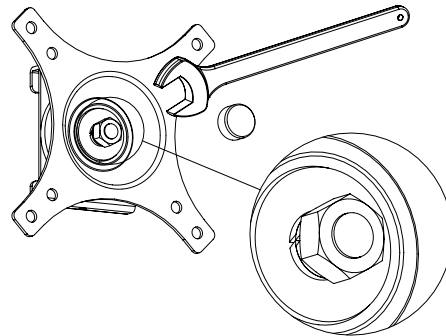
Step 2

Take off rubber cover on the VESA mount to expose the M8 screw.

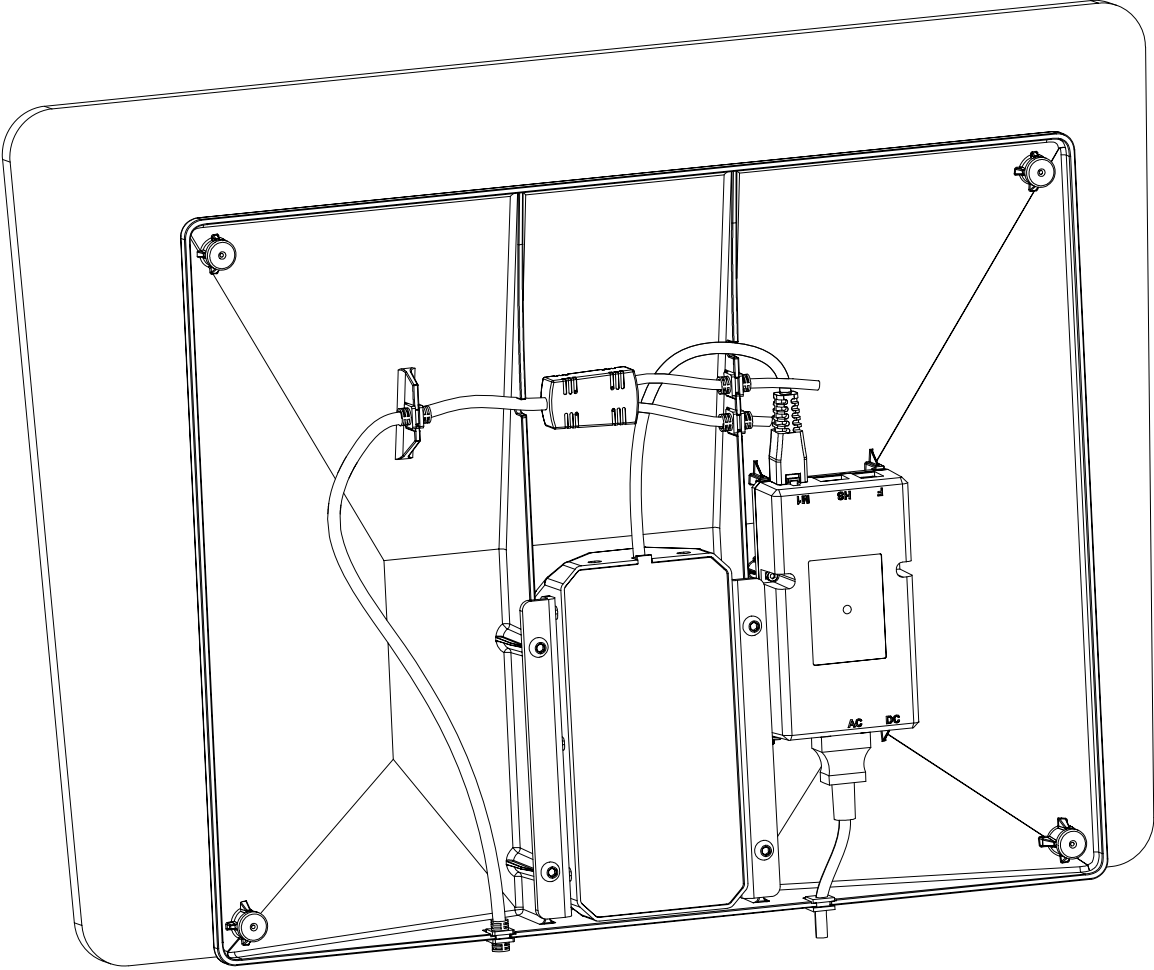


Step 3

Use a 13mm wrench to adjust the M8 screw on the VESA mount for appropriate tension — clockwise to increase tension (for larger monitors) and counterclockwise to decrease tension (smaller monitors).



BOTTOM WIRING



Please contact cc@amqsolutions.com if you are missing any parts, have difficulty with assembly, or have any product related questions.