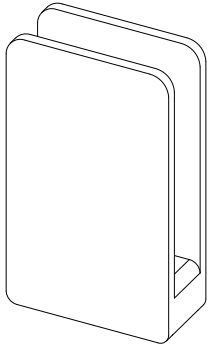
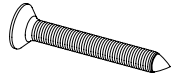




COMPONENTS



Top mounted bracket
x2



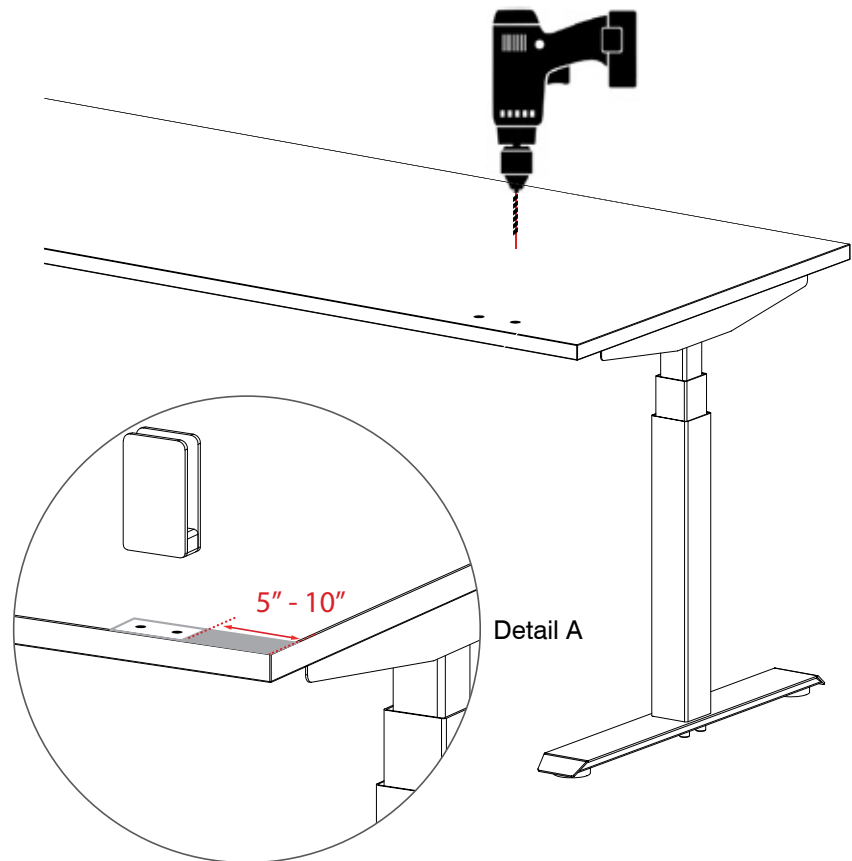
Self Tapping Screw
x4

*used in direct mounting

PHASE 1 | Back Screen

Step 1

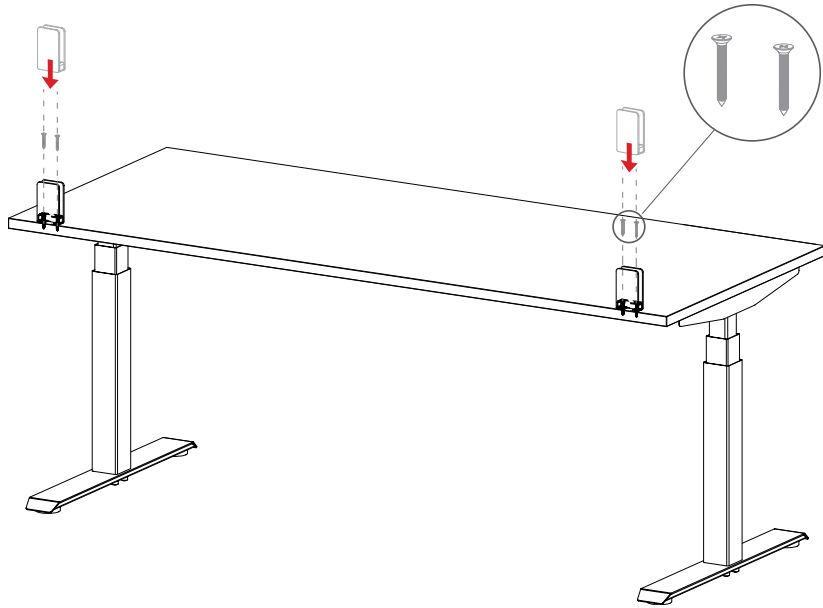
Use provided template (page 6) to pre-drill pilot holes for accurate placement of each bracket. Recommended distance from the edge of the worksurface is 5 to 10 inches as shown in "Detail A".



PHASE 1 | Back Screen

Step 2

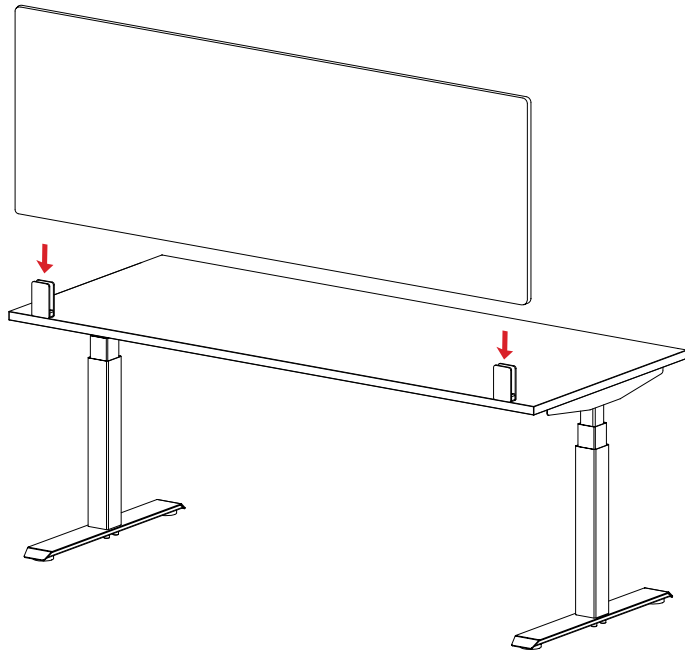
Use 2 self-tapping screws for each bracket and screw them downwards, to secure the top mounted brackets onto the worksurface securely.



Step 3

Slide the back screen into the top mounted brackets as shown in the diagram below.

Your set up is now complete.

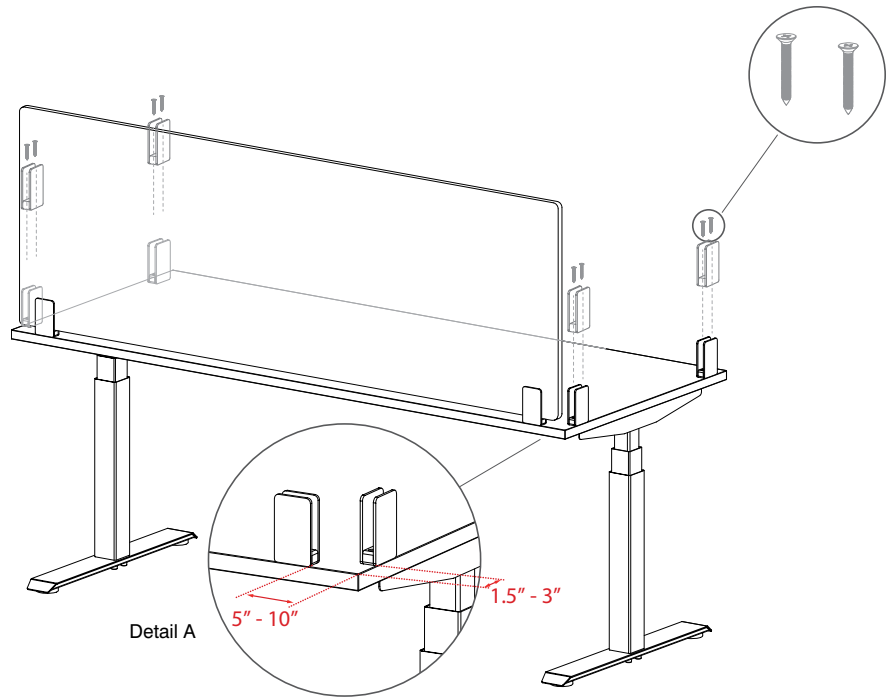


PHASE 2 | Side Screen

Step 1

Use 2 self-tapping screws for each bracket and screw them downwards to secure the brackets to the worksurface securely.

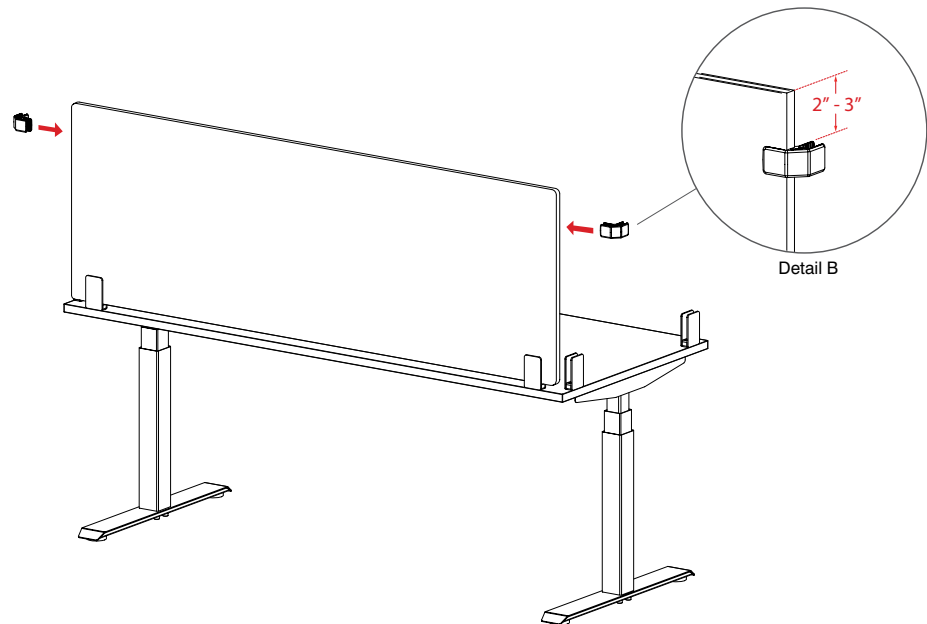
Recommended distance from the edge of the worksurface is 1.5 to 3 inches as shown in "Detail A".



Step 2

Optional: Attach corner-connector to the back screen (1 per side)

Recommended space between the top of the screen to the connector piece is 2 to 3 inches.

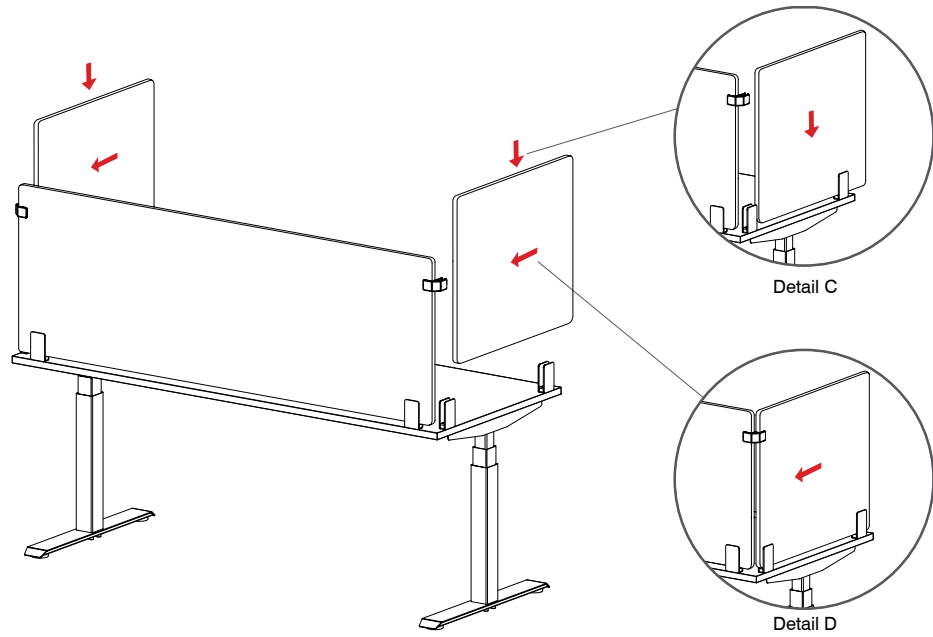


PHASE 2 | Side Screen

Step 3

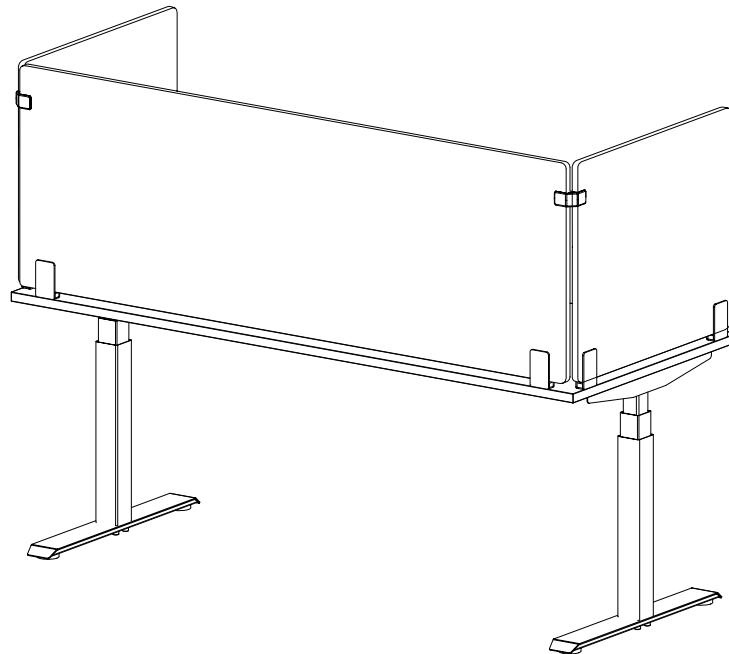
Insert side screens into the top mounted bracket first, as shown in "Detail C".

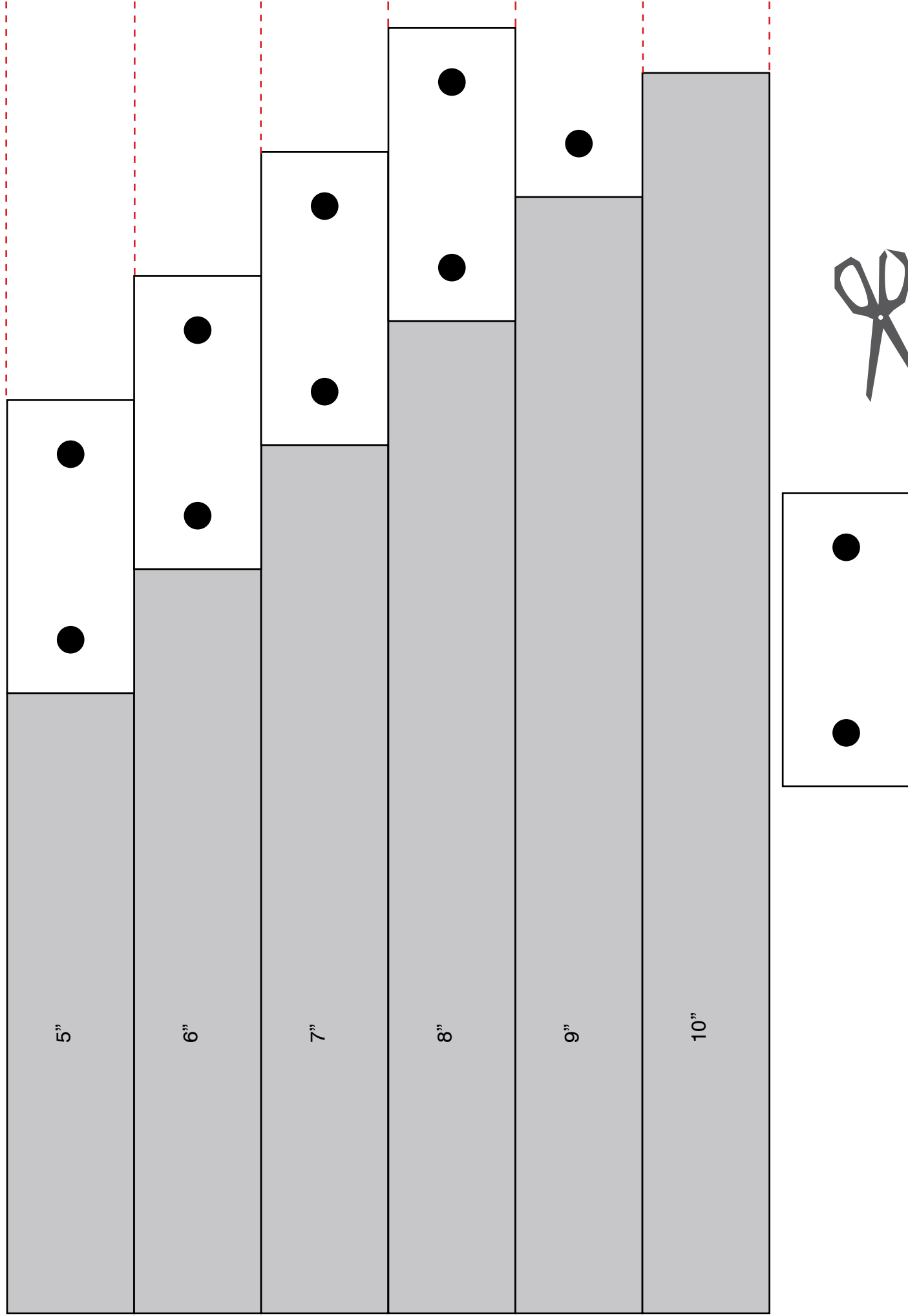
Then slide into the corner-connectors as shown in "Detail D".



Step 4

Your set up is now complete.





Please contact cc@amqsolutions.com if you are missing any parts, have difficulty with assembly, or have any product related questions.