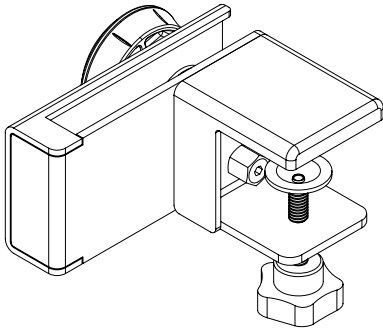
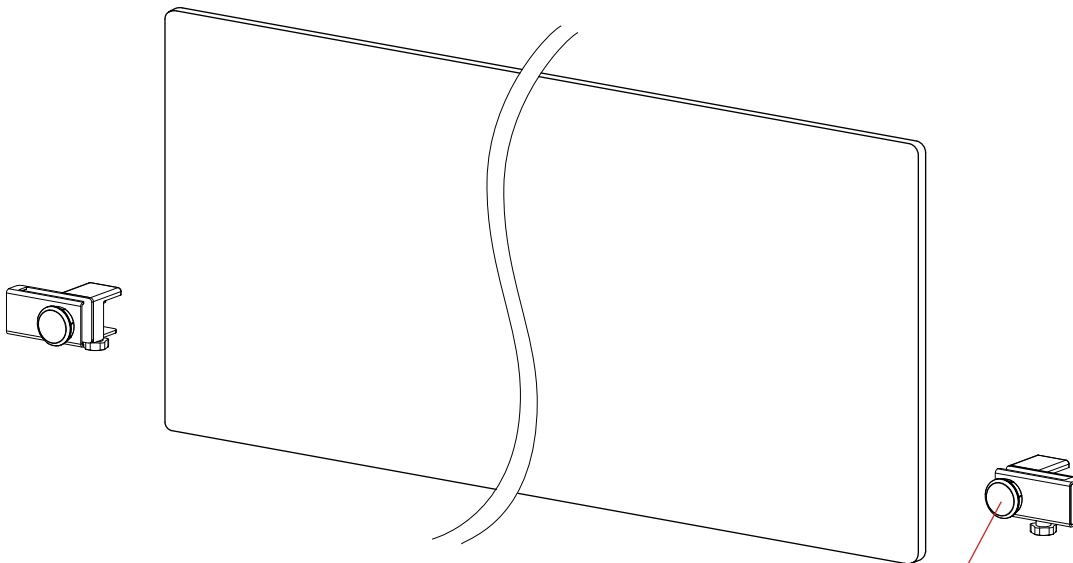


COMPONENTS



User Adjustable Bracket
x2

PHASE 1 | Back Screen



Step 1

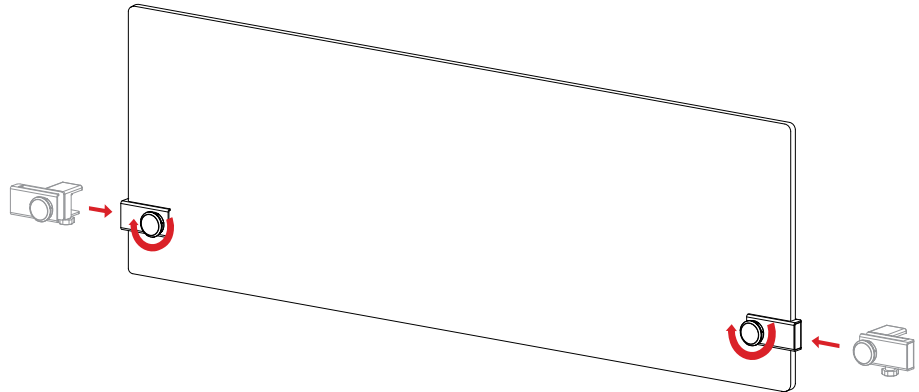
Orient both brackets by facing the user adjustable knobs toward the aisle side of the back screen.

user adjustable knob

PHASE 1 | Back Screen

Step 2

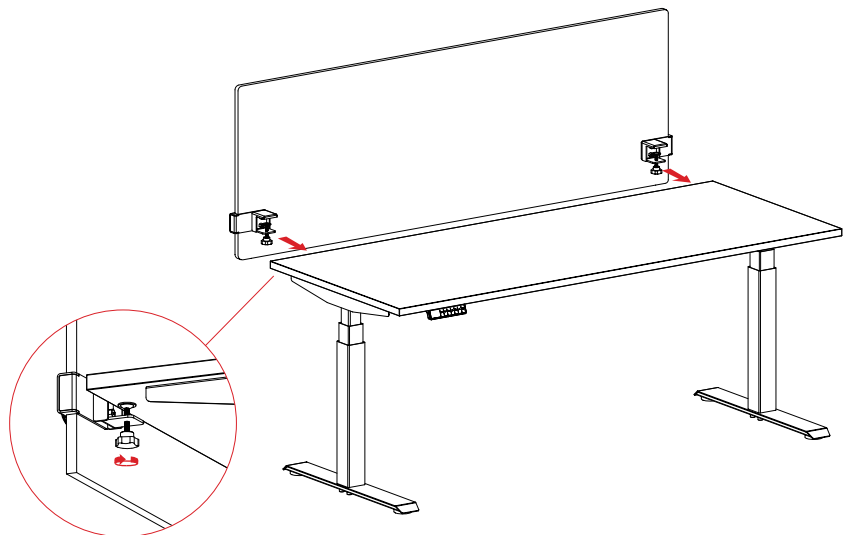
Attach user height adjustable brackets to each side of the back screen and secure them at the desired height by tightening the knobs clockwise.



Step 3

Slide assembled brackets and clamp onto worksurface with the tightening knobs facing downwards as shown in the diagram below.

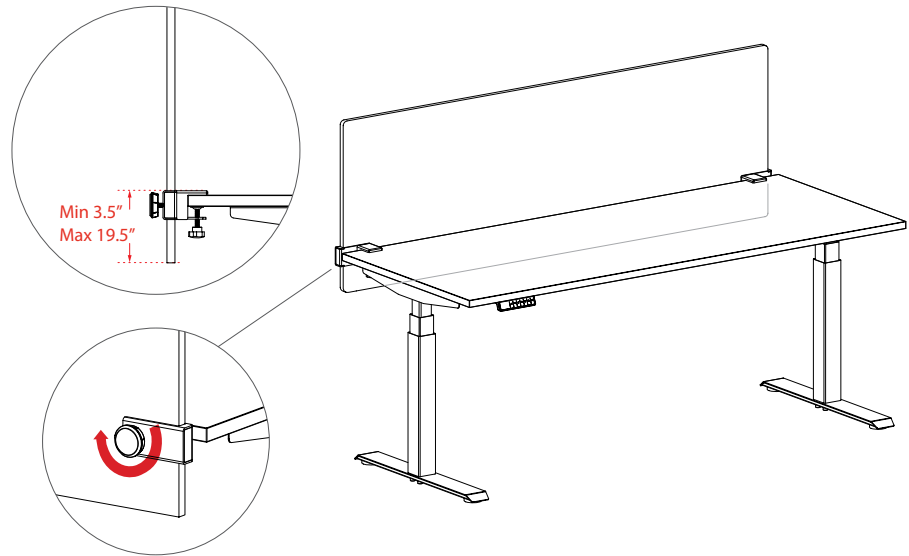
Adjust the back screen to be center aligned on the worksurface and secure the tightening knobs.



PHASE 1 | Back Screen

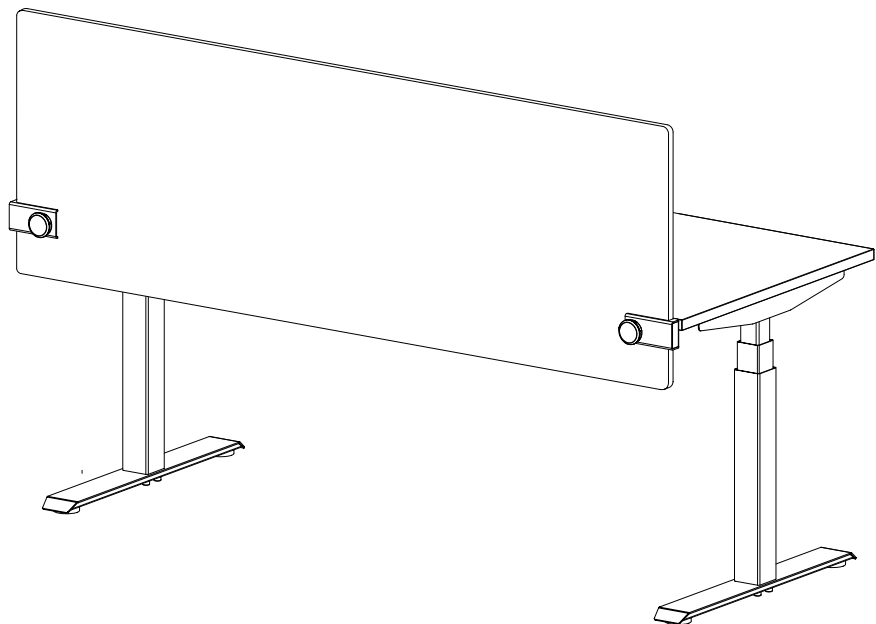
Step 4

Adjust the vertical positioning of the screen by loosening and tightening the user adjustable knobs. The recommended range of adjustment is 16" (3.5" to 19.5" above or below the worksurface).



Step 5

Your set up is now complete.



Please contact cc@amqsolutions.com if you are missing any parts, have difficulty with assembly, or have any product related questions.